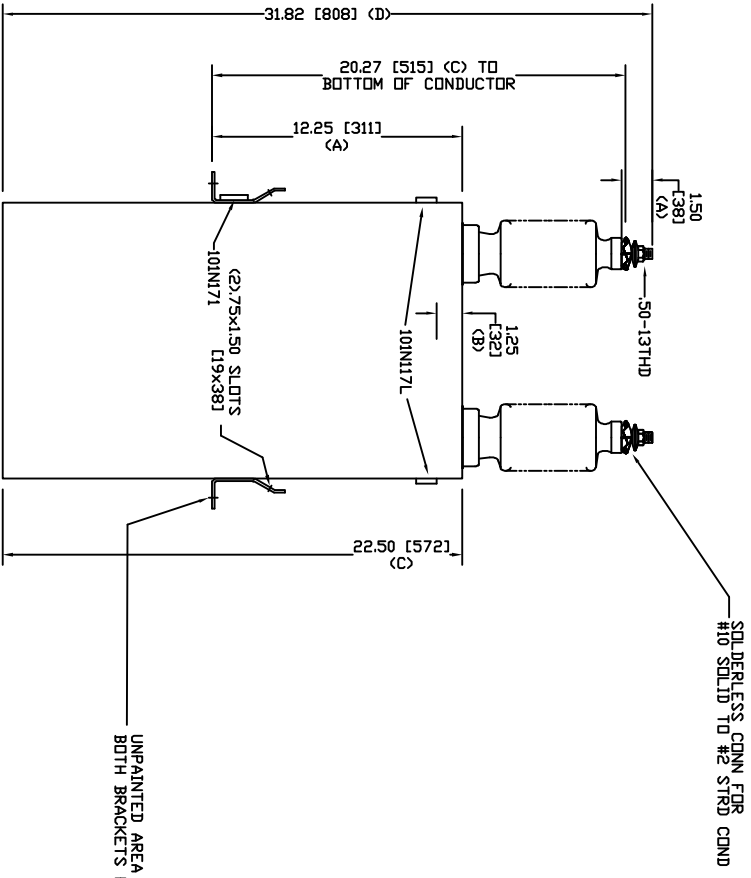
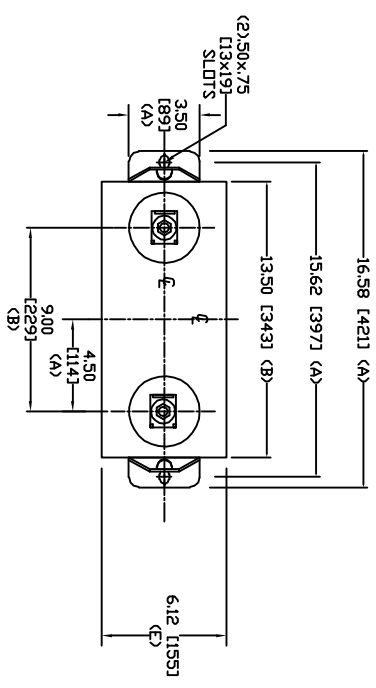


SIZE	DWG. NO.	SHT	REV
A	98L108WC10	2	0
REV	DESCRIPTION	DATE	APPROVED
0	New	2/3/2006	



SOLDERLESS CONN. FOR #10 SOLDER TO #2 STRD COND

TOL	in.	mm
A	.06	1.5
B	.12	3.0
C	.18	4.6
D	.25	6.4
E	+5/-1	+13/-25

7960 V 1 PH 95 KV/BIL  
 400 KVAR 60 Hz  
 CAT. 98L108WC10  
 2.92 GAL  
 MFG DATE  
 101N171 READ GEH-2743

GE ENERGY  
 FORT EDWARD, N.Y., U.S.A.

DRAWN ACAD VBA DATE 2/18/2010  
 ISSUED RAH DATE 2/18/2010

SIZE A WEIGHT 82.7 lbs  
 SCALE 37.6 kg

DUTLINE  
 98L108WC10

SHEET 2 OF 3