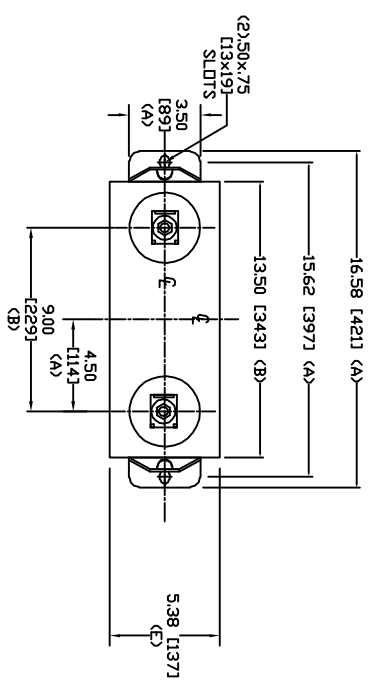
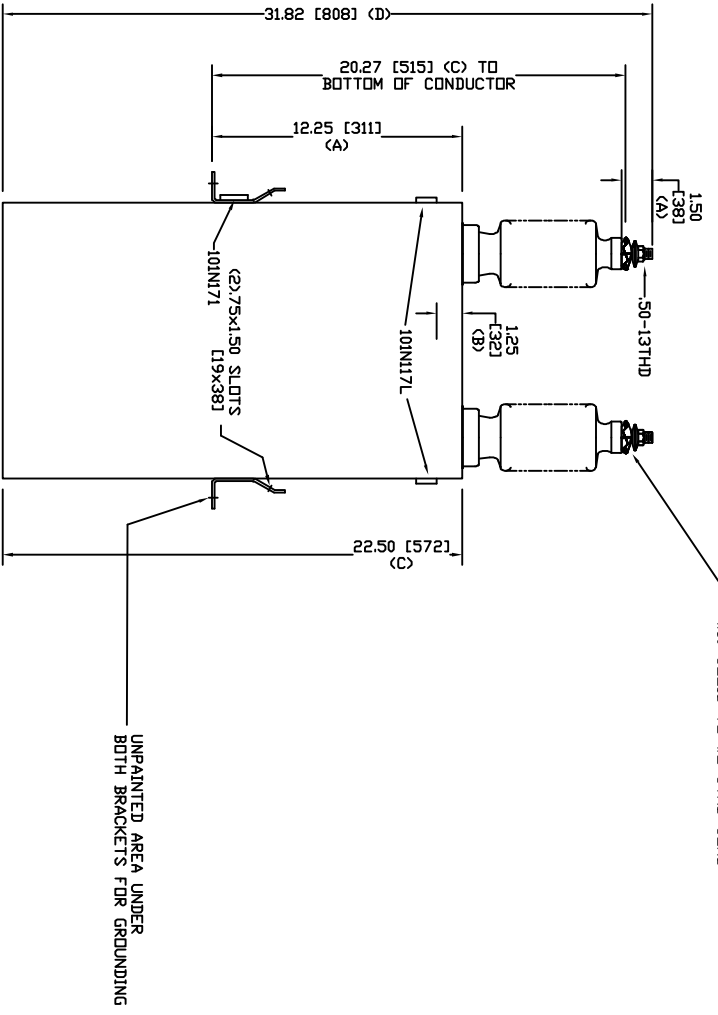


SIZE	DWG. NO.	SHT	REV
A	98L108WC60	2	0
REV	DESCRIPTION	DATE	APPROVED
0	New	2/3/2006	



TOL	In.	mm
A	.06	1.5
B	.12	3.0
C	.18	4.6
D	.25	6.4
E	+5/-1	+13/-25



7960 V 1 PH 95 KV/BIL  
 400 KVAR 60 Hz  
 CAT. 98L108WC60  
 2.72 GAL  
 MFG DATE  
 100N171 READ GEH-2743

GE ENERGY  
 FORT EDWARD, N.Y., U.S.A.

DRAWN ACAD VBA DATE 11/30/2009  
 ISSUED RAH DATE 11/30/2009

SIZE A WEIGHT 74.2 lbs 33.7 kg  
 SCALE

OUTLINE  
 98L108WC60

SHEET 2 OF 3  
 CNT 3