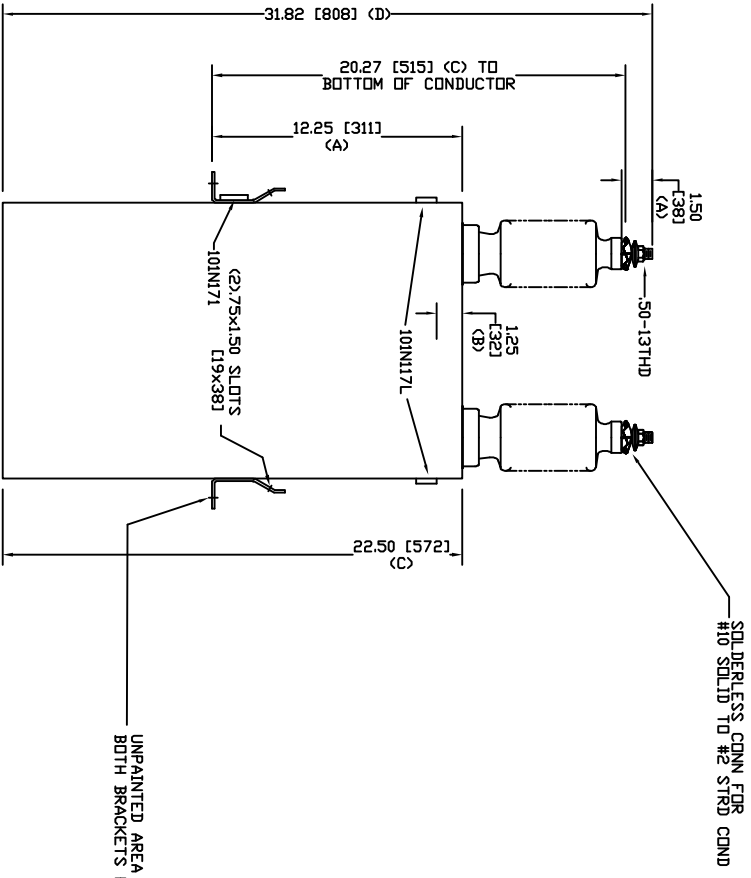
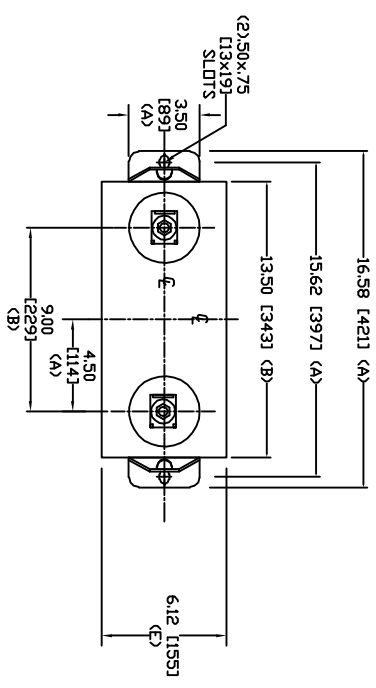


SIZE	DWG. NO.	SHT	REV
A	98L111WC10	2	0
REV	DESCRIPTION	DATE	APPROVED
0	New	1/26/2006	



SOLDERLESS CONN. FOR #10 SOLDER TO #2 STRD COND

UNPAINTED AREA UNDER BOTH BRACKETS FOR GROUNDING

TOL	In.	mm
A	.06	1.5
B	.12	3.0
C	.18	4.6
D	.25	6.4
E	+5/-1	+13/-25

12470 V 1 PH 95 KV/BIL
 400 KVAR 60 Hz
 CAT. 98L111WC10
 2.99 GAL
 MFG DATE
 101N171 READ GEH-2743

GE ENERGY
FORT EDWARD, N.Y., U.S.A.

DRAWN	ACAD VBA	DATE	2/12/2009
ISSUED	RAH	DATE	2/12/2009

SIZE: **A**
 WEIGHT: 82.3 lbs / 37.4 kg
OUTLINE
98L111WC10

SHEET 2 OF 3
 CNT 3