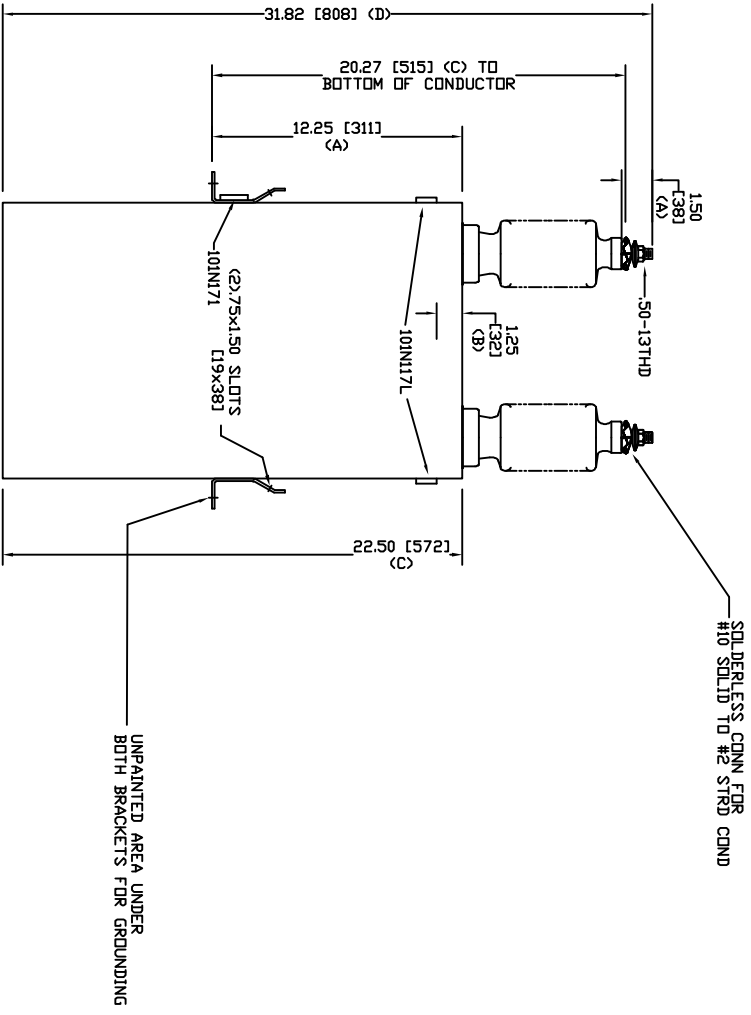
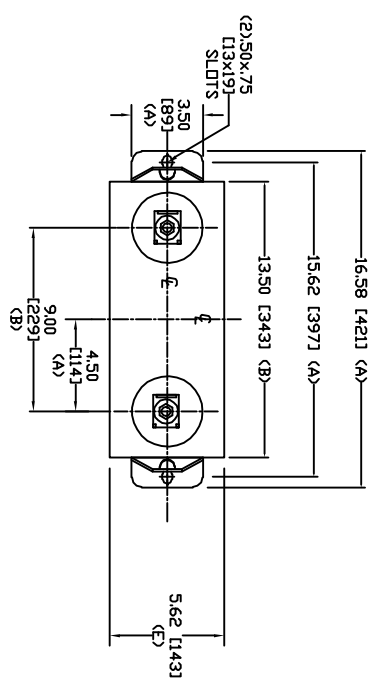


SIZE	DWG. NO.	SHT	REV
A	98L111WC60	2	0
REV	DESCRIPTION	DATE	APPROVED
0	New	1/26/2006	



SOLDERLESS CONN. FOR #10 SOLDER TO #2 STRD CONDUIT

TOL	In.	mm
A	.06	1.5
B	.12	3.0
C	.18	4.6
D	.25	6.4
E	+5/-1	+13/-25

12470 V 1 PH 95 KV/BIL
 400 KVAR 60 Hz
 CAT. 98L111WC60
 2.93 GAL
 MFG DATE
 101N171 READ GEH-2743

UNPAINTED AREA UNDER BOTH BRACKETS FOR GROUNDING

GE ENERGY FORT EDWARD, N.Y., U.S.A.		SIZE	A
DRAWN	ACAD VBA	WEIGHT	76.6 lbs
ISSUED	RAH	SCALE	34.8 kg
DATE	12/18/2009	OUTLINE 98L111WC60	
DATE	12/18/2009		
		SHEET	2
		CGNT	3