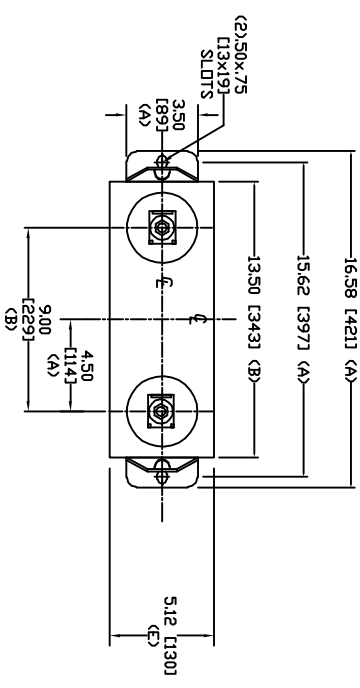
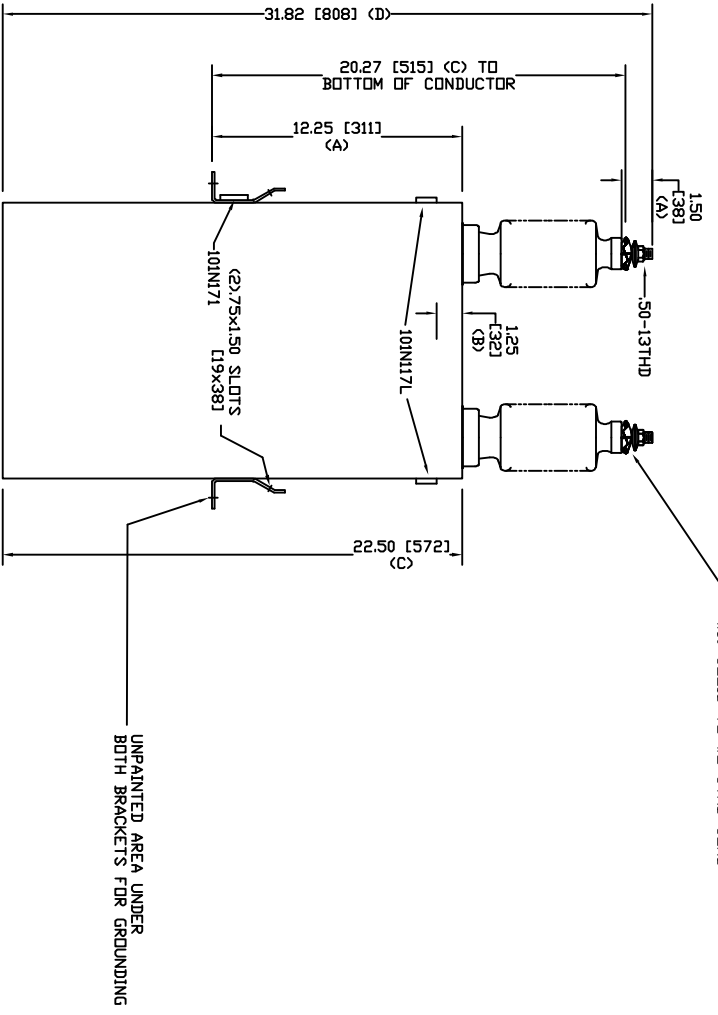


SIZE	DWG. NO.	SHT	REV
A	98L112WC60	2	0
REV	DESCRIPTION	DATE	APPROVED
0	New	3/16/2006	



TOL	in.	mm
A	.06	1.5
B	.12	3.0
C	.18	4.6
D	.25	6.4
E	+5/-1	+13/-25



13280 V 1 PH 95 KVBL
 400 KVAR 60 Hz
 CAT. 98L112WC60
 2.6 GAL
 MFG DATE
 101N171 READ GEH-2743

GE ENERGY FORT EDWARD, N.Y., U.S.A.		SIZE	A
DRAWN	ACAD VBA	DATE	12/18/2009
ISSUED	RAH	DATE	12/18/2009
WEIGHT		70 lbs	
SCALE		31.8 kg	
DISTR. TO		201	
SHEET		2	DN
CGNT		3	
<h1>OUTLINE</h1> <h2>98L112WC60</h2>			