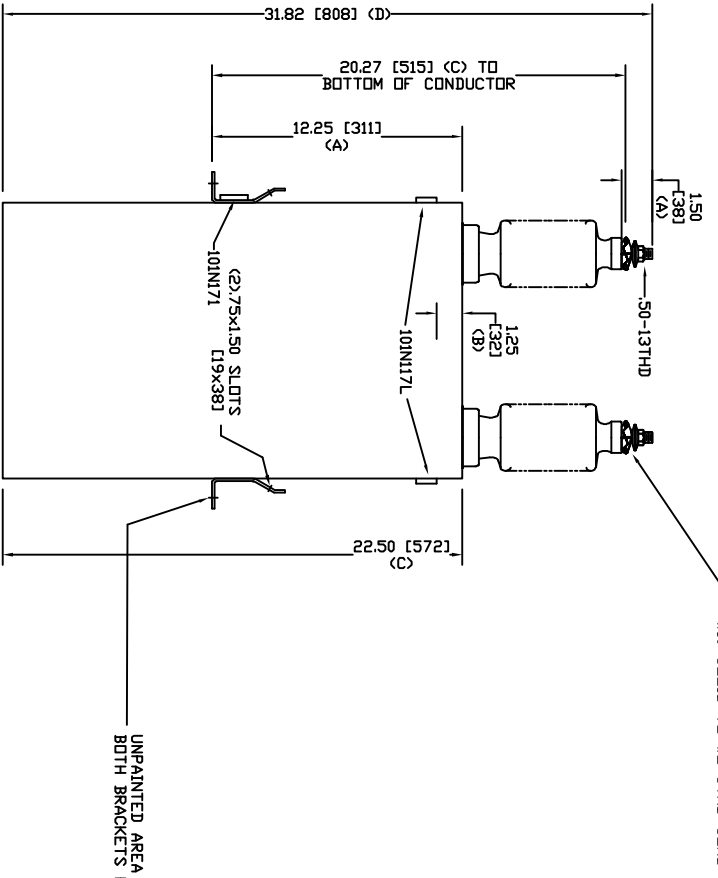
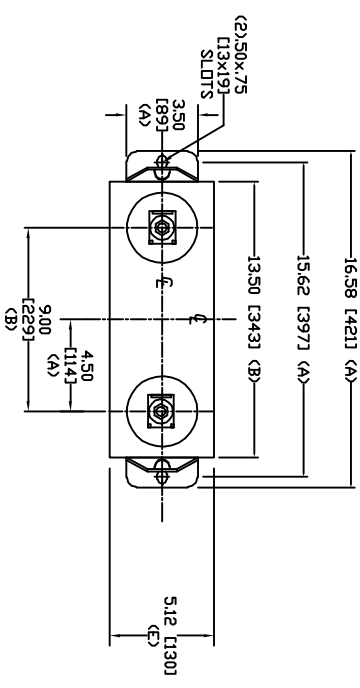



SIZE	DWG. NO.	SHT	REV
A	98L113WC60	2	0
REV	DESCRIPTION	DATE	APPROVED
0	New	7/11/2006	



SOLDERLESS CONN. FOR #10 SOLDER TO #2 STRD COND

TOL	In.	mm
A	.06	1.5
B	.12	3.0
C	.18	4.6
D	.25	6.4
E	+5/-1	+13/-25

13800 V 1 PH 95 KV/BIL  
 400 KVAR 60 Hz  
 CAT. 98L113WC60  
 2.56 GAL  
 MFG DATE  
 101N171 READ GEH-2743


**GE ENERGY**  
**FORT EDWARD, N.Y., U.S.A.**

DRAWN	ACAD VBA	DATE	12/18/2009
ISSUED	RAH	DATE	12/18/2009

SIZE: **A**  
 WEIGHT: 69.9 lbs / 31.8 kg  
 SCALE: **A**

**OUTLINE**  
**98L113WC60**

SHEET 2 OF 3  
 CNT 3