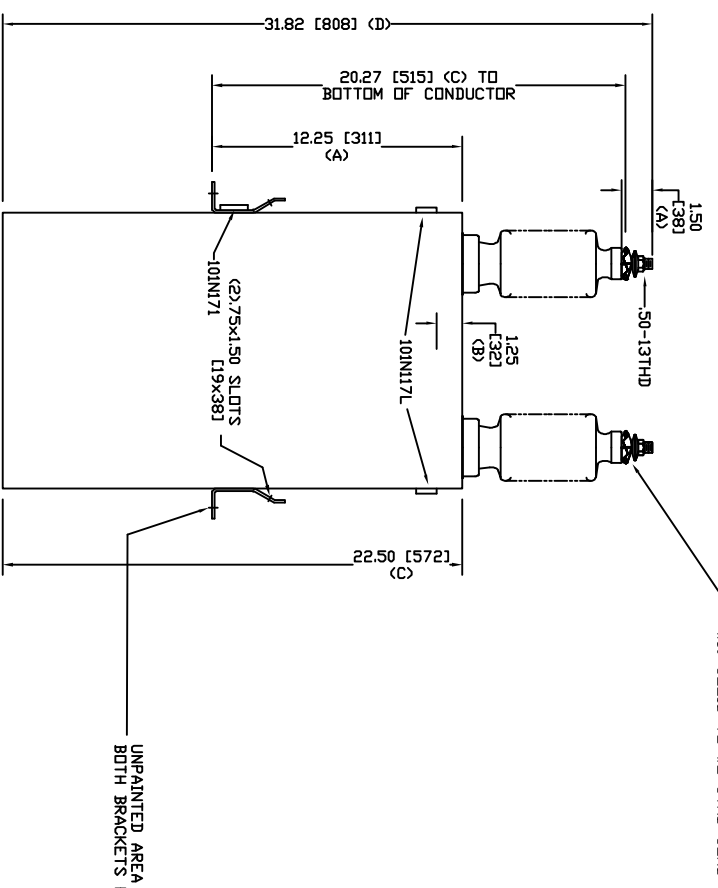
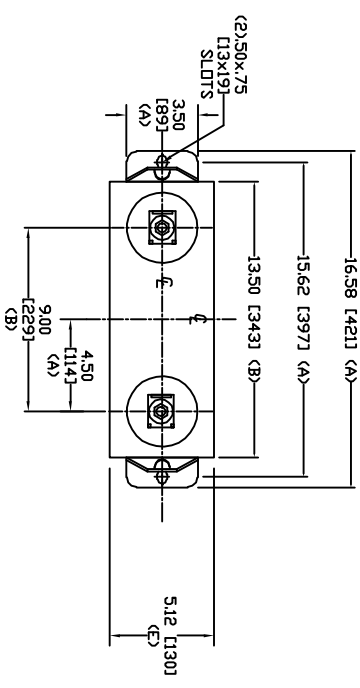


SIZE	DWG. NO.	SHT	REV
A	98L114WC62	2	0
REV	DESCRIPTION	DATE	APPROVED
0	New	8/1/2006	



SOLDERLESS CONN. FOR #10 SOLDER TO #2 STRD COND

TOL	in.	mm
A	.06	1.5
B	.12	3.0
C	.18	4.6
D	.25	6.4
E	+5/-1	+13/-25

14400 V 1 PH 95 KV/BIL  
 400 KVAR 60 Hz  
 CAT. 98L114WC62  
 2.61 GAL  
 MFG DATE  
 101N171 READ GEH-2743

UNPAINTED AREA UNDER BOTH BRACKETS FOR GROUNDING

<b>GE ENERGY</b> <b>FORT EDWARD, N.Y., U.S.A.</b>		SIZE	A
DRAWN	ACAD VBA	DATE	9/15/99
ISSUED	RAH	DATE	9/15/99
<b>OUTLINE</b> <b>98L114WC62</b>		WEIGHT	69.6 lbs 31.6 kg
DISTR. TO		SHEET	2
201		CGNT	3