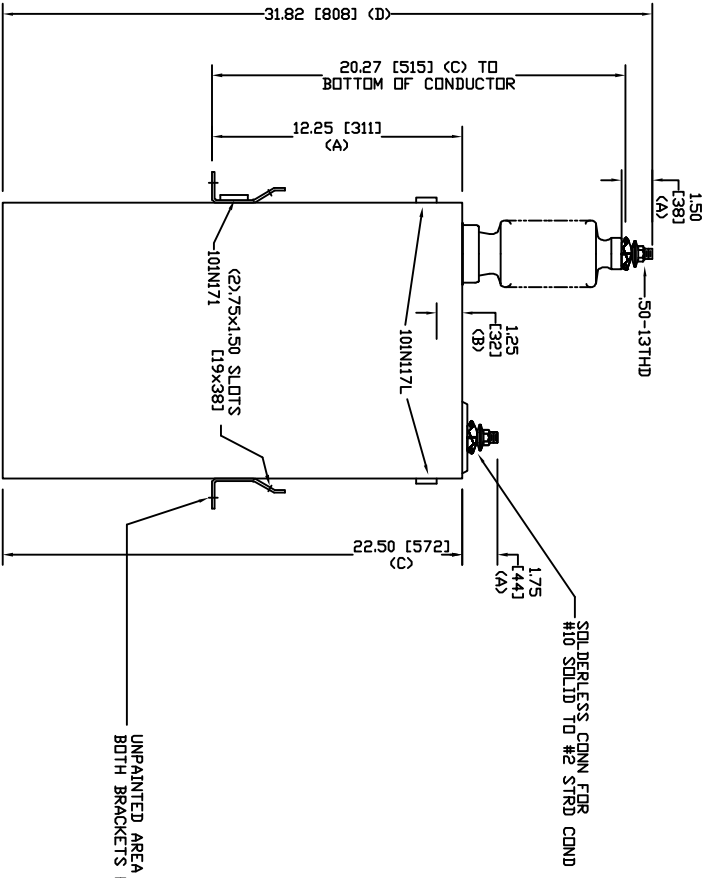
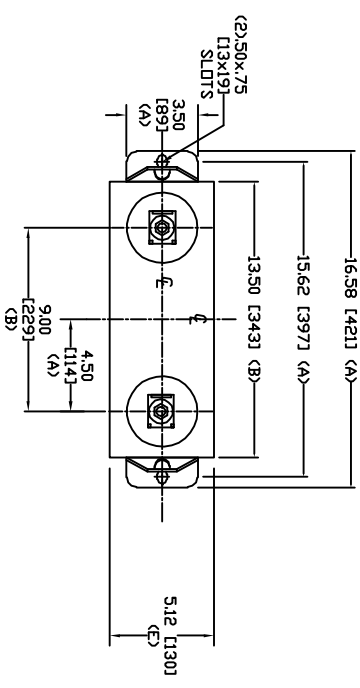


SIZE	DWG. NO.	SHT	REV
A	98L125WC60	2	0
REV	DESCRIPTION	DATE	APPROVED
0	New	6/21/2006	



UNPAINTED AREA UNDER BOTH BRACKETS FOR GROUNDING

TOL	In.	mm
A	.06	1.5
B	.12	3.0
C	.18	4.6
D	.25	6.4
E	+5/-1	+13/-25

6640 V 1 PH 95 KV/BIL
 400 KVAR 60 Hz
 CAT. 98L125WC60
 2.61 GAL
 MFG DATE
 101N171 READ GEH-2743

INDUSTRIAL SYSTEMS FORT EDWARD, N.Y., U.S.A.		SIZE	A	WEIGHT	70.3 lbs 32 kg	OUTLINE 98L125WC60	
DRAWN	ACAD VBA	DATE	8/14/06	SCALE		SHEET	2
ISSUED	RAH	DATE	8/14/06			CGNT	3