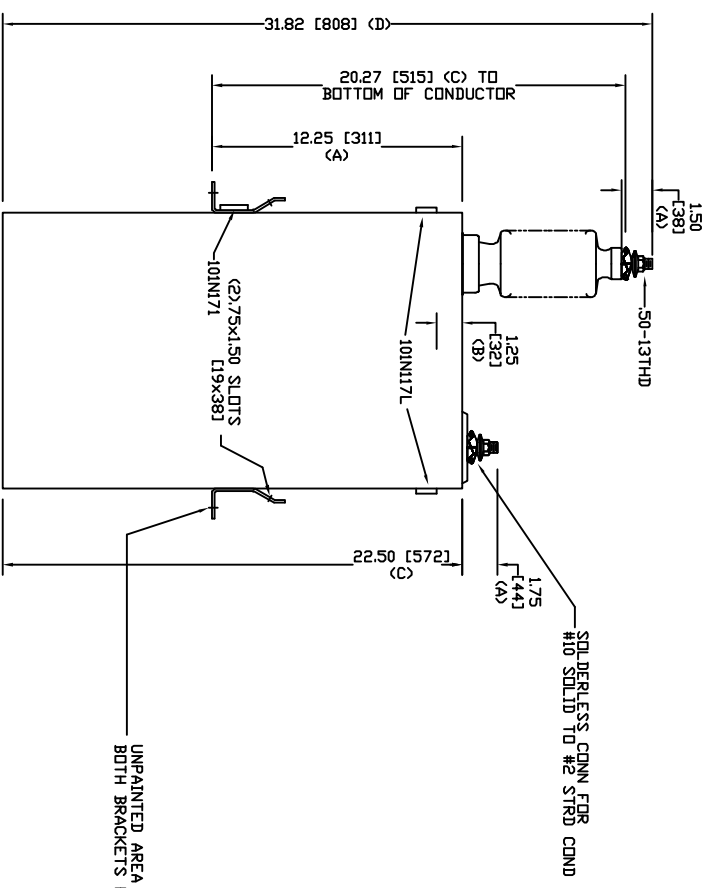
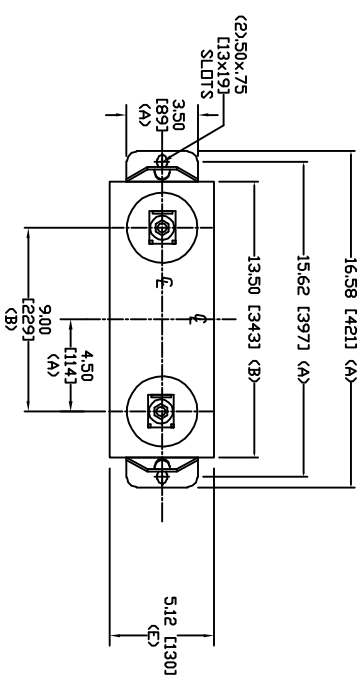


SIZE	DWG. NO.	SHT	REV
A	98L126WC63	2	0
REV	DESCRIPTION	DATE	APPROVED
0	New	12/29/2005	



UNPAINTED AREA UNDER BOTH BRACKETS FOR GROUNDING

SOLDERLESS CONN. FOR #10 SOLDER TO #2 STRD COND

TOL	In.	mm
A	.06	1.5
B	.12	3.0
C	.18	4.6
D	.25	6.4
E	+.5/-1	+13/-25

7200 V 1 PH 95 KV/BIL
 400 KVAR 60 Hz
 CAT. 98L126WC63
 2.65 GAL
 MFG DATE
 101N171 READ GEH-2743



INDUSTRIAL SYSTEMS
 FORT EDWARD, N.Y., U.S.A.

DRAWN ACAD VBA DATE 1/13/04
 ISSUED RAH DATE 1/13/04

SIZE A
 WEIGHT 69.5 lbs
 31.6 kg

OUTLINE
 98L126WC63

SHEET 2 OF 3
 CNT 3