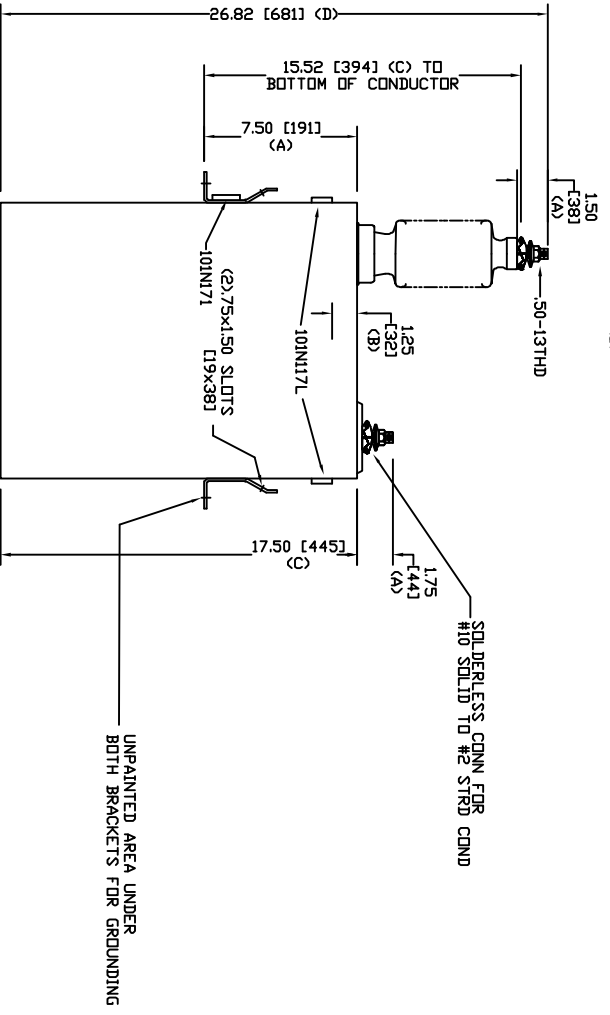
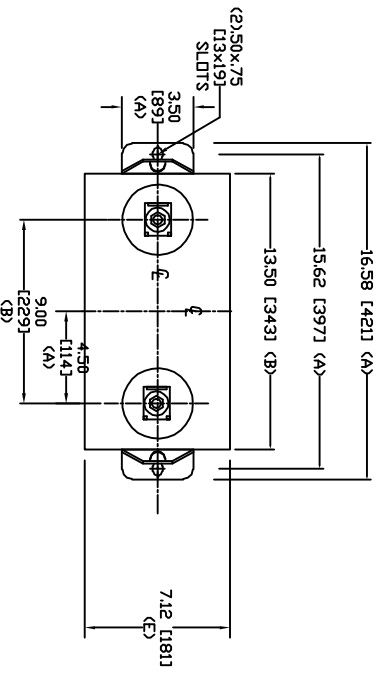


SIZE	DWG NO	SHT	REV
A	98L127WC60	2	0
REV	DESCRIPTION	DATE	APPROVED
0	New	2/8/2006	



TOL	In.	mm
A	.06	1.5
B	.12	3.0
C	.18	4.6
D	.25	6.4
E	+5/-1	+13/-25

7620 V 1 PH 95 KV/BIL
 400 KVAR 60 Hz
 CAT. 98L127WC60
 2.7 GAL
 MFG DATE
 101N171 READ GEH-2743

GE ENERGY FORT EDWARD, N.Y., U.S.A.		SIZE	A
DRAWN	ACAD VBA	DATE	11/13/2009
ISSUED	RAH	DATE	11/13/2009
WEIGHT		76.4 lbs	
SCALE		34.7 kg	
SHEET		2	DN
CGNT		3	

OUTLINE
98L127WC60