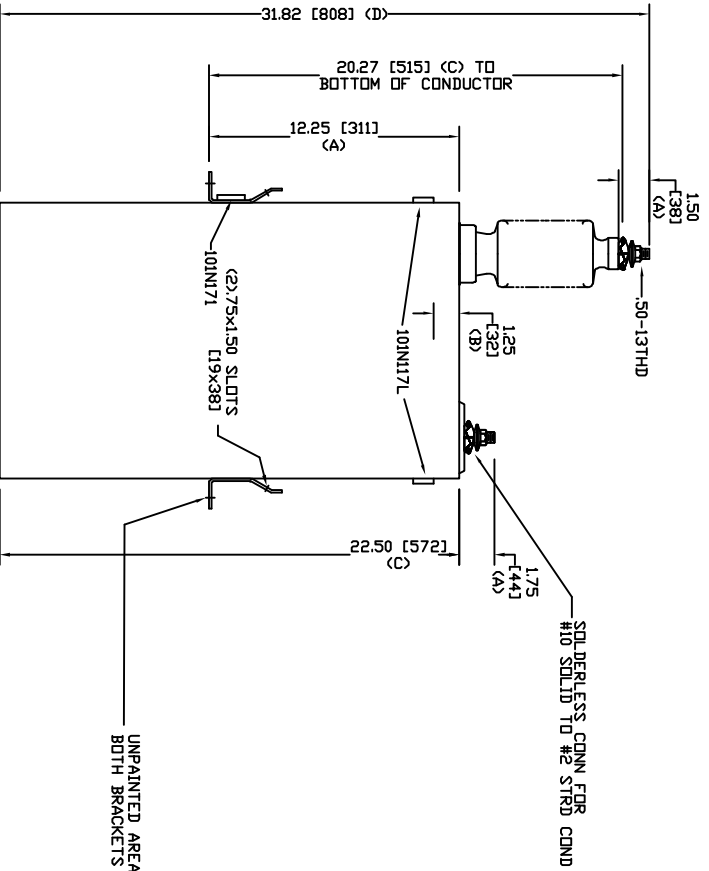
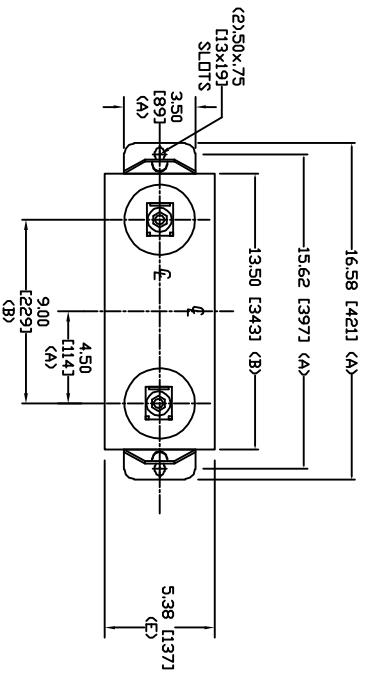


SIZE	DWG. NO.	SHT	REV
A	98L128WC60	2	0
REV	DESCRIPTION	DATE	APPROVED
0	New	2/3/2006	



UNPAINTED AREA UNDER BOTH BRACKETS FOR GROUNDING

TOL	In.	mm
A	.06	1.5
B	.12	3.0
C	.18	4.6
D	.25	6.4
E	+5/-1	+13/-25

7960 V 1 PH 95 KV/BIL
 400 KVAR 60 Hz
 CAT. 98L128WC60
 2.72 GAL
 MFG DATE
 101N171 READ GEH-2743



GE ENERGY
 FORT EDWARD, N.Y., U.S.A.

DRAWN ACAD VBA DATE 11/30/2009
 ISSUED RAH DATE 11/30/2009

SIZE A

WEIGHT 74.2 lbs
 33.7 kg

OUTLINE
 98L128WC60

SHEET 2
 CNT 3