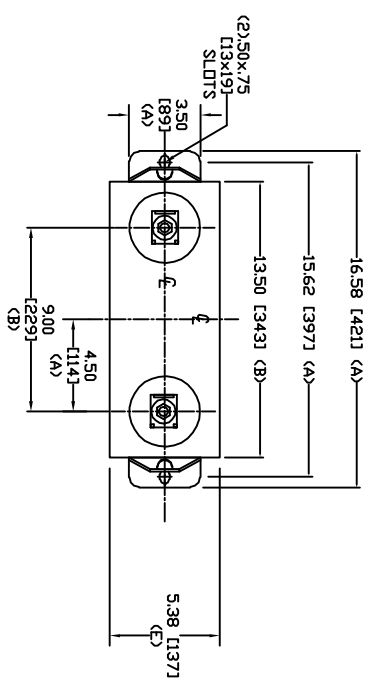
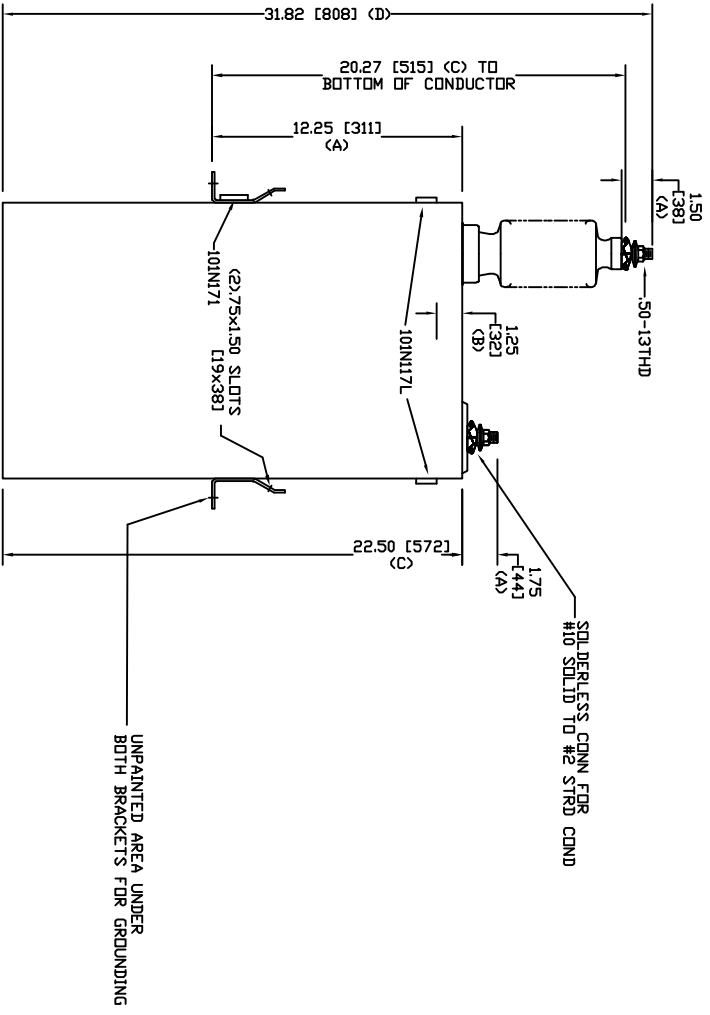


SIZE	DWG. NO.	SHT	REV
A	98L129WC60	2	0
REV	DESCRIPTION	DATE	APPROVED
0	New	2/22/2006	



TOL	in.	mm
A	.06	1.5
B	.12	3.0
C	.18	4.6
D	.25	6.4
E	+5/-1	+13/-25

8320 V 1 PH 95 KV/BIL
 400 KVAR 60 Hz
 CAT. 98L129WC60
 2.77 GAL
 MFG DATE
 101N171 READ GEH-2743



GE ENERGY
FORT EDWARD, N.Y., U.S.A.
 DRAWN ACAD VBA DATE 12/18/2009
 ISSUED RAH DATE 12/18/2009

SIZE A WEIGHT 73.8 lbs 33.5 kg
 SCALE
OUTLINE
98L129WC60
 SHEET 2 CNT 3