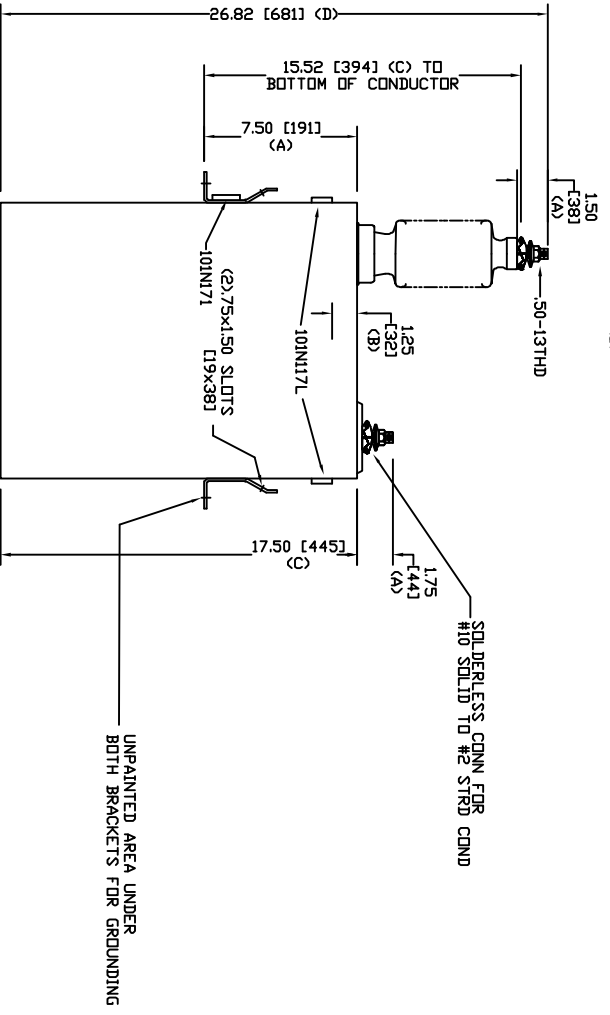
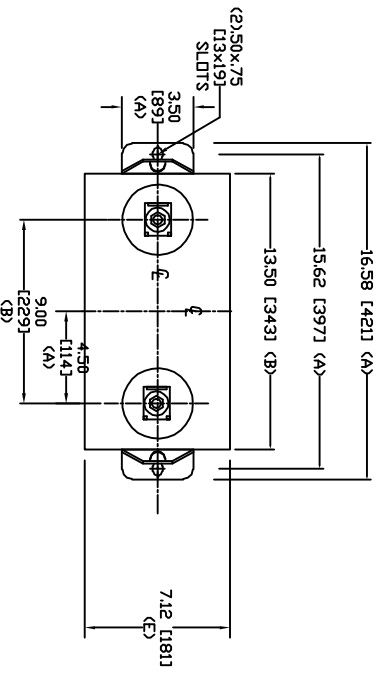


SIZE	DWG. NO.	SHT	REV
A	98L130WC60	2	0
REV	DESCRIPTION	DATE	APPROVED
0	New	6/14/2005	



TOL	in.	mm
A	.06	1.5
B	.12	3.0
C	.18	4.6
D	.25	6.4
E	+5/-1	+13/-25

9960 V 1 PH 95 KV/BIL  
 400 KVAR 60 Hz  
 CAT. 98L130WC60  
 2.73 GAL  
 MFG DATE  
 101N171 READ GEH-2743

<b>GE ENERGY</b> <b>FORT EDWARD, N.Y., U.S.A.</b>		SIZE <b>A</b>
DRAWN ACAD VBA	DATE 12/18/2009	WEIGHT 75.7 lbs 34.4 kg
ISSUED RAH	DATE 12/18/2009	SCALE <b>A</b>
<b>OUTLINE</b> <b>98L130WC60</b>		SHEET 2 CNT 3