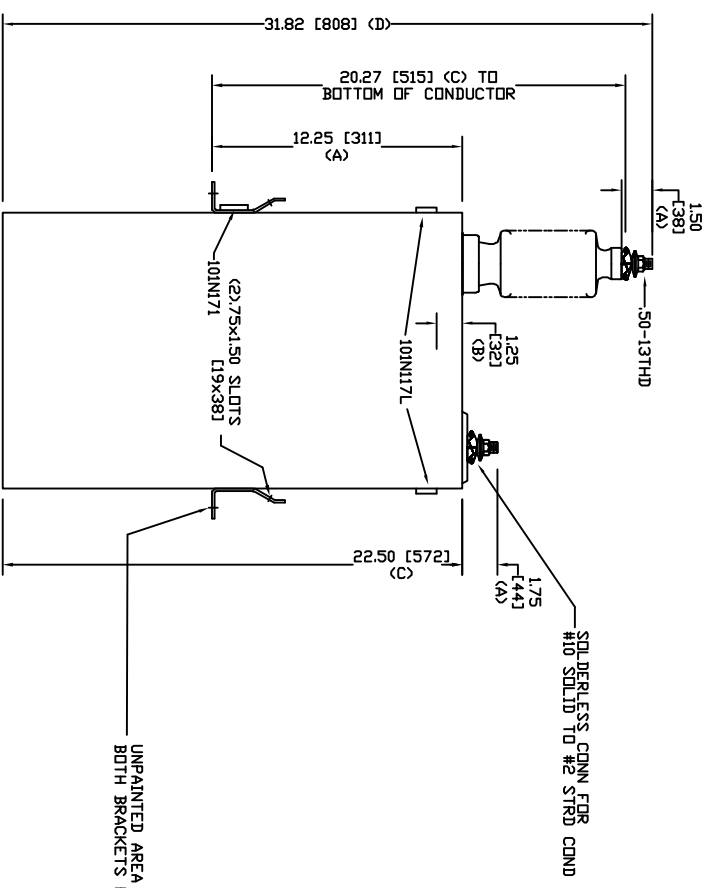
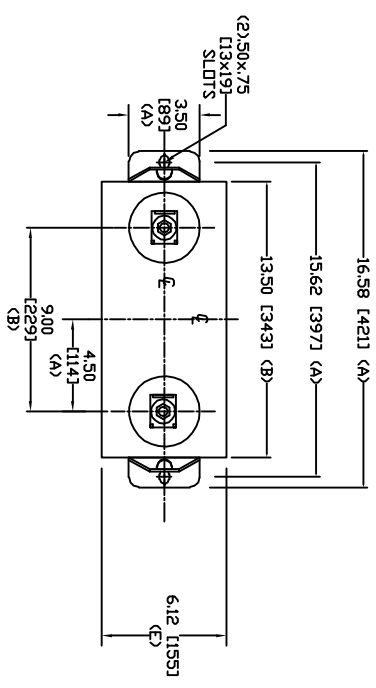


SIZE	DWG. NO.	SHT	REV
A	98L131WC10	2	0
REV	DESCRIPTION	DATE	APPROVED
0	New	1/26/2006	



UNPAINTED AREA UNDER BOTH BRACKETS FOR GROUNDING

TOL	In.	mm
A	.06	1.5
B	.12	3.0
C	.18	4.6
D	.25	6.4
E	+5/-1	+13/-25

12470 V 1 PH 95 KV/BIL
 400 KVAR 60 Hz
 CAT. 98L131WC10
 2.99 GAL
 MFG DATE
 101N171 READ GEH-2743

GE ENERGY
 FORT EDWARD, N.Y., U.S.A.
 DRAWN ACAD VBA
 ISSUED RAH
 DATE 2/12/2009
 DATE 2/12/2009

SIZE A
 WEIGHT 82.4 lbs
 37.5 kg
 SCALE
 OUTLINE
 98L131WC10
 SHEET 2
 CNT 3