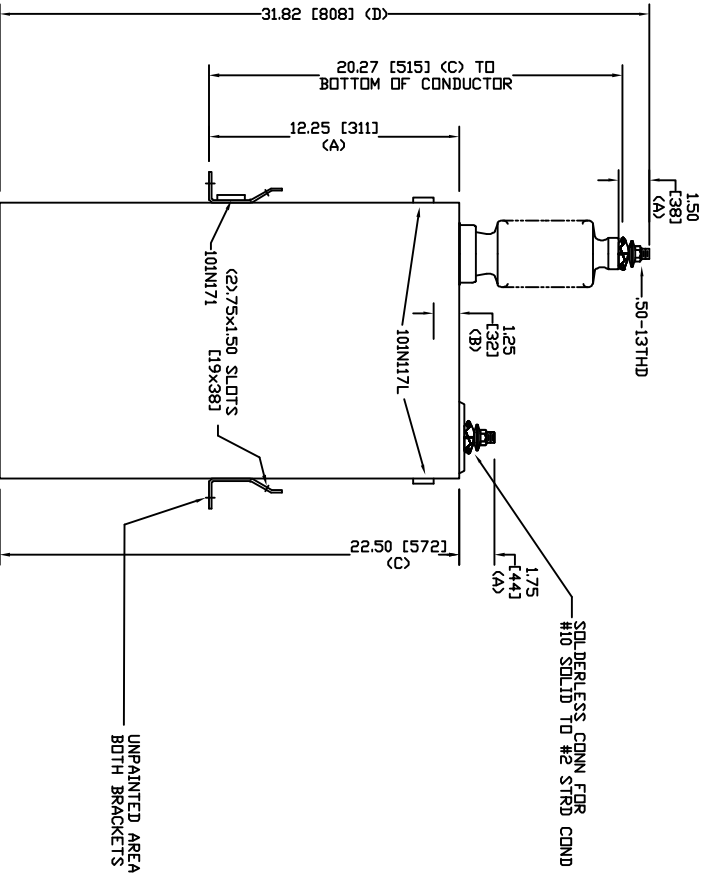
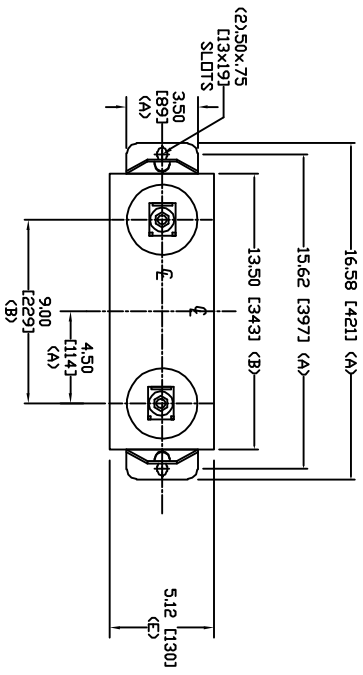


SIZE	DWG. NO.	SHT	REV
A	98L133WC60	2	0
REV	DESCRIPTION	DATE	APPROVED
0	New	7/11/2006	



TOL	in.	mm
A	.06	1.5
B	.12	3.0
C	.18	4.6
D	.25	6.4
E	+5/-1	+13/-25

13800 V 1 PH 95 KVBL
 400 KVAR 60 Hz
 CAT. 98L133WC60
 2.56 GAL
 MFG DATE
 101N171 READ GEH-2743

UNPAINTED AREA UNDER BOTH BRACKETS FOR GROUNDING



GE ENERGY
FORT EDWARD, N.Y., U.S.A.

DRAWN ACAD VBA DATE 12/29/2009
 ISSUED RAH DATE 12/29/2009

SIZE

A

WEIGHT

70 lbs
31.8 kg

OUTLINE

98L133WC60

SCALE

SHEET 2 OF 3