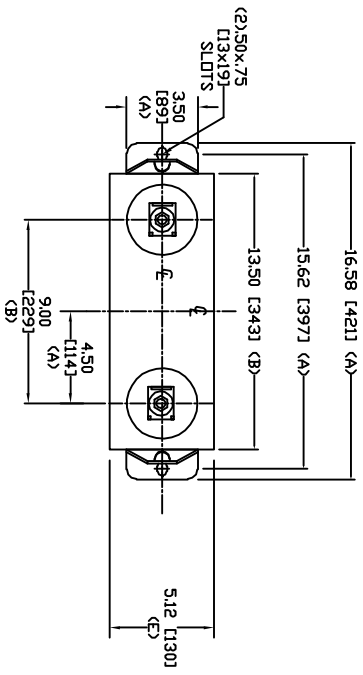
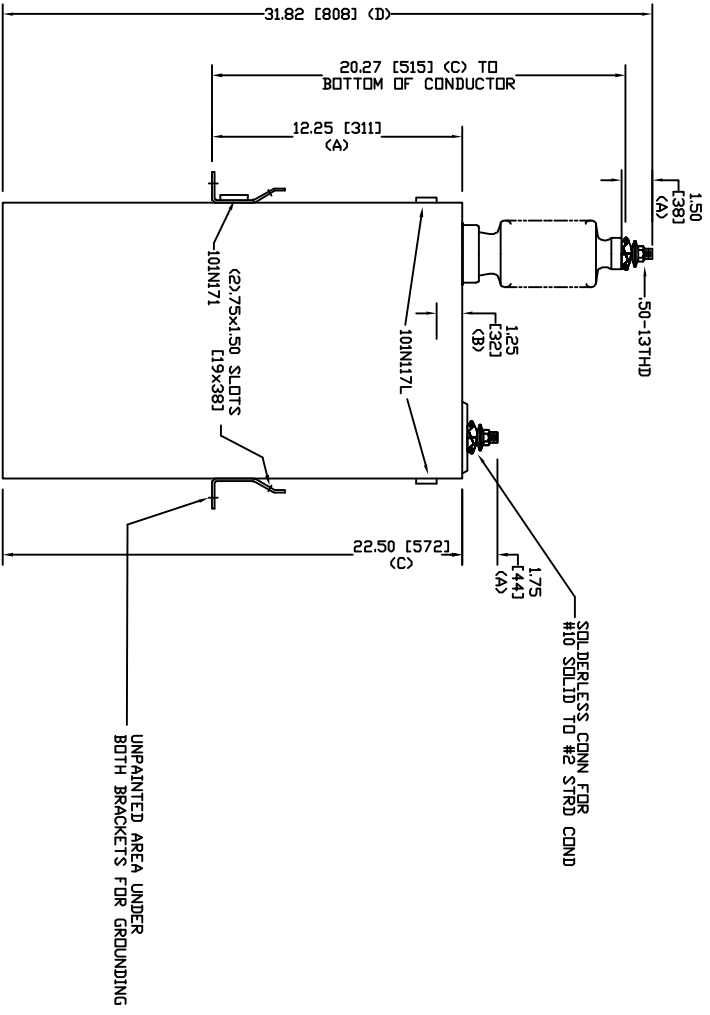


SIZE	DWG. NO.	SHT	REV
A	98L134WC62	2	0
REV	DESCRIPTION	DATE	APPROVED
0	New	8/1/2006	




TOL	In.	mm
A	.06	1.5
B	.12	3.0
C	.18	4.6
D	.25	6.4
E	+5/-1	+13/-25



14400 V 1 PH 95 KV/BIL
 400 KVAR 60 Hz
 CAT. 98L134WC62
 2.61 GAL
 MFG DATE
 101N171 READ GEH-2743

UNPAINTED AREA UNDER BOTH BRACKETS FOR GROUNDING


GE ENERGY
FORT EDWARD, N.Y., U.S.A.

DRAWN	ACAD VBA	DATE	9/15/99	SIZE	A	WEIGHT	69.6 lbs	OUTLINE 98L134WC62
ISSUED	RAH	DATE	9/15/99	SCALE		31.6 kg		
				SHEET	2	CGNT	3	