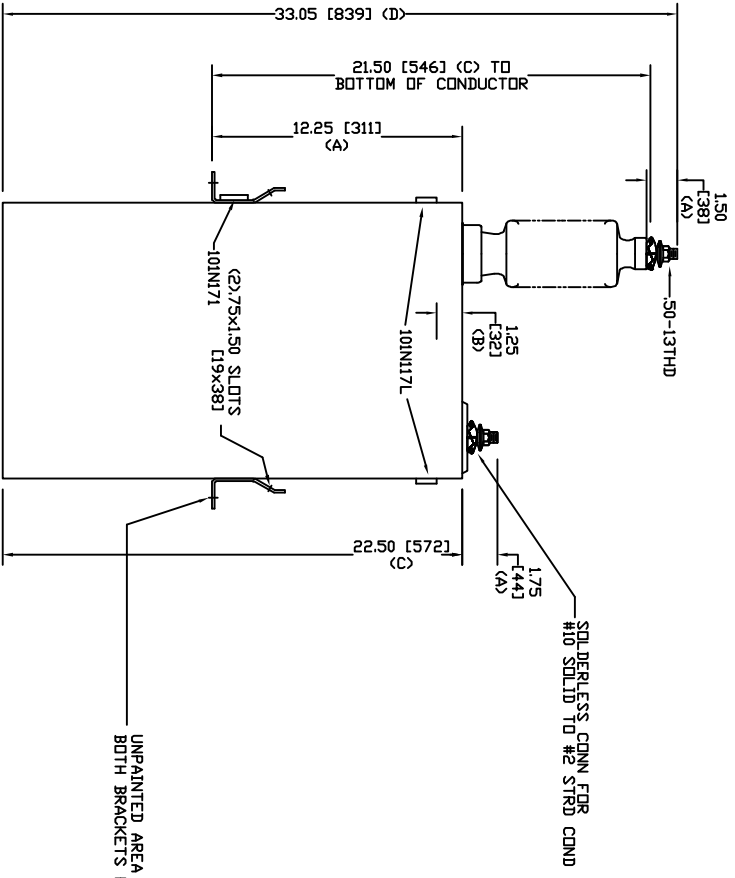
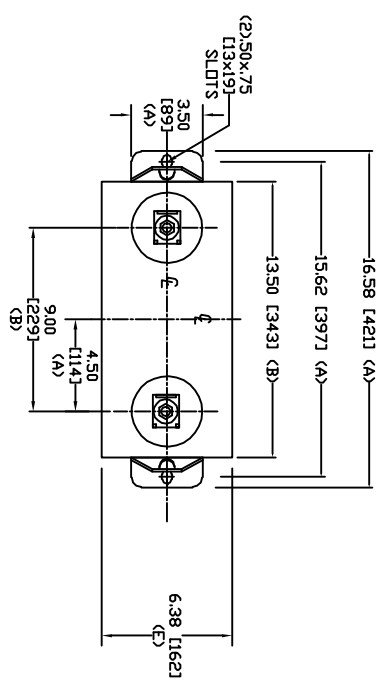


| | | | |
|------|-------------|-----------|----------|
| SIZE | DWG. NO. | SHT | REV |
| A | 98L155WC10 | 2 | 0 |
| REV | DESCRIPTION | DATE | APPROVED |
| 0 | New | 6/11/2007 | |



UNPAINTED AREA UNDER BOTH BRACKETS FOR GROUNDING

| TOL | in. | mm |
|-----|-------|---------|
| A | .06 | 1.5 |
| B | .12 | 3.0 |
| C | .18 | 4.6 |
| D | .25 | 6.4 |
| E | +5/-1 | +13/-25 |

19920 V 1 PH 150 KV/BIL
 400 KVAR 60 Hz
 CAT. 98L155WC10
 3.23 GAL
 MFG DATE
 101N171 READ GEH-2743



INDUSTRIAL SYSTEMS
 FORT EDWARD, N.Y., U.S.A.

DRAWN ACAD VBA DATE 6/11/2007
 ISSUED RAH DATE 6/11/2007

SIZE A
 WEIGHT 88.2 lbs
 40.1 kg

OUTLINE
 98L155WC10

SHEET 2
 CNT 3