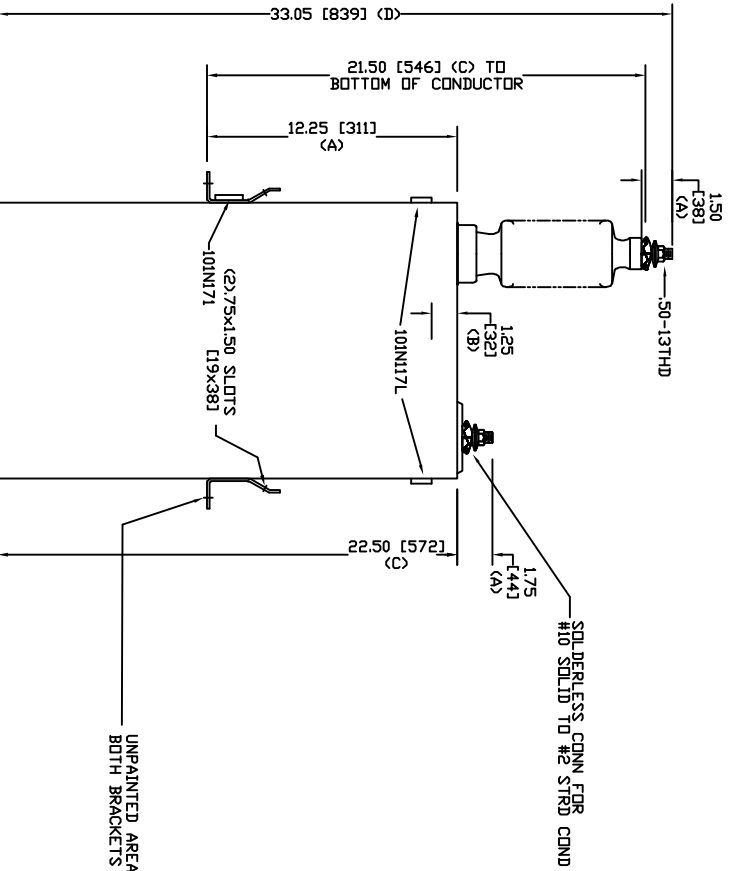
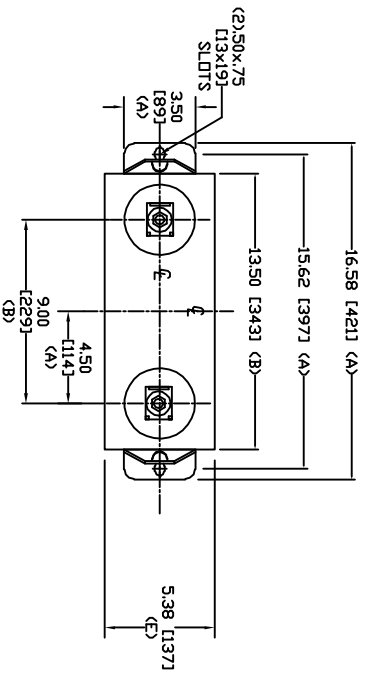


SIZE	DWG. NO.	SHT	REV
A	98L155WC62	2	0
REV	DESCRIPTION	DATE	APPROVED
0	New	2/22/2006	



UNPAINTED AREA UNDER BOTH BRACKETS FOR GROUNDING

TOL	In.	mm
A	.06	1.5
B	.12	3.0
C	.18	4.6
D	.25	6.4
E	+5/-1	+13/-25

19920 V 1 PH 150 KV/BIL
 400 KVAR 60 Hz
 CAT. 98L155WC62
 2.84 GAL
 MFG DATE
 101N171 READ GEH-2743



GE ENERGY
 FORT EDWARD, N.Y., U.S.A.

DRAWN ACAD VBA DATE 3/27/00
 ISSUED RAH DATE 3/27/00

SIZE A

WEIGHT 75.6 lbs
 34.4 kg

OUTLINE
 98L155WC62

SHEET 2 OF 3