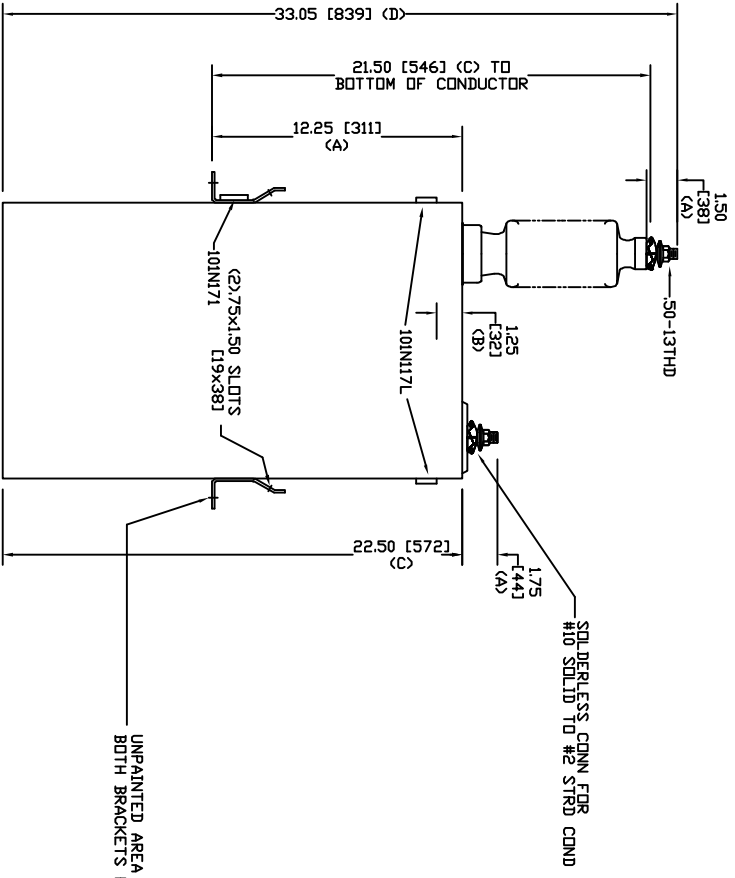
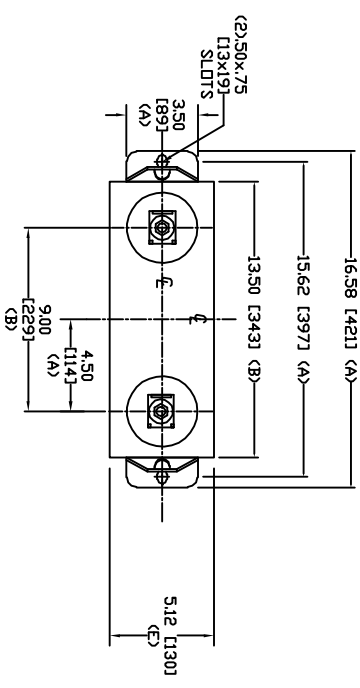


SIZE	DWG. NO.	SHT	REV
A	98L156WC62	2	0
REV	DESCRIPTION	DATE	APPROVED
0	New	6/8/2006	



UNPAINTED AREA UNDER BOTH BRACKETS FOR GROUNDING

TOL	In.	mm
A	.06	1.5
B	.12	3.0
C	.18	4.6
D	.25	6.4
E	+5/-1	+13/-25

21600 V 1 PH 150 KV/BIL
 400 KVAR 60 Hz
 CAT. 98L156WC62
 2.56 GAL
 MFG DATE
 100N171 READ GEH-2743

 INDUSTRIAL SYSTEMS FORT EDWARD, N.Y., U.S.A.		SIZE	A
DRAWN	ACAD VBA	DATE	4/12/00
ISSUED	RAH	DATE	4/12/00

WEIGHT	72 lbs 32.7 kg	OUTLINE	
SCALE		SHEET	2
		CGNT	3
		98L156WC62	