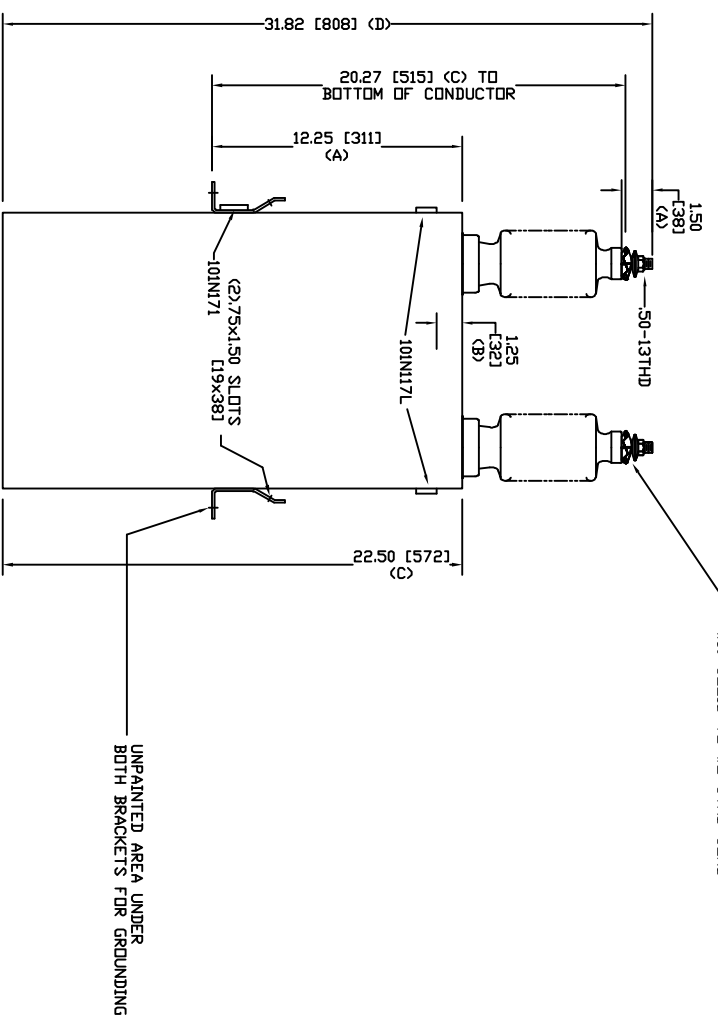
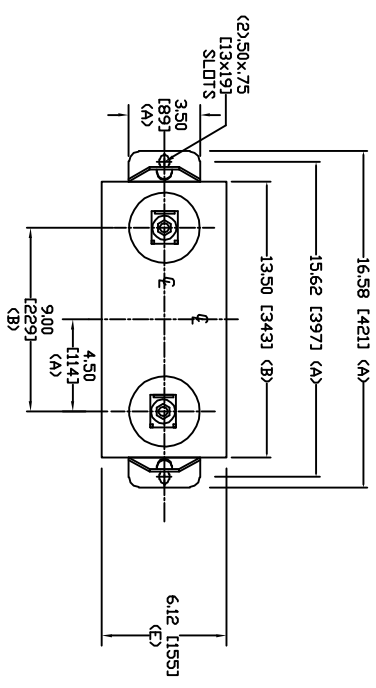


SIZE	DWG. NO.	SHT	REV
A	98L505WC60	2	0
REV	DESCRIPTION	DATE	APPROVED
0	New	6/21/2006	



TOL	in.	mm
A	.06	1.5
B	.12	3.0
C	.18	4.6
D	.25	6.4
E	+5/-1	+13/-25

6640 V 1 PH 95 KV/BIL
 500 KVAR 60 Hz
 CAT. 98L505WC60
 2.89 GAL
 MFG DATE
 101N171 READ GEH-2743

INDUSTRIAL SYSTEMS FORT EDWARD, N.Y., U.S.A.		SIZE	WEIGHT	OUTLINE 98L505WC60
DRAWN	ACAD VBA	A	82.9 lbs 37.7 kg	
ISSUED	RAH	SCALE		SHEET 2
				CGNT 3
DATE	DATE			
6/21/2006	6/21/2006			