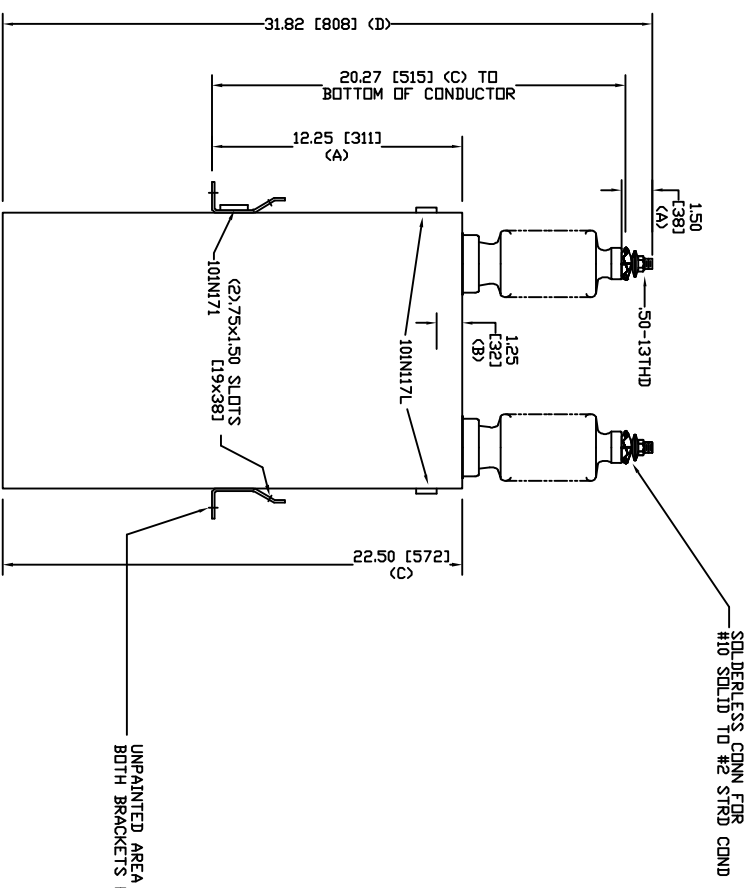
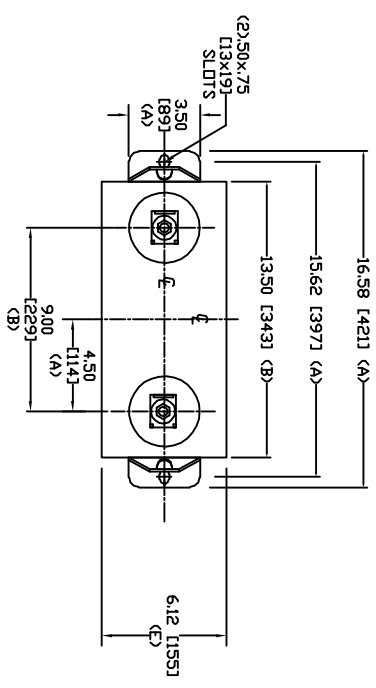


SIZE	DWG. NO.	SHT	REV
A	98L506WC62	2	0
REV	DESCRIPTION	DATE	APPROVED
0	New	2/21/2006	



TOL	in.	mm
A	.06	1.5
B	.12	3.0
C	.18	4.6
D	.25	6.4
E	+.5/-1	+13/-25

7200 V 1 PH 95 KV/BIL
 500 KVAR 60 Hz
 CAT. 98L506WC62
 2.96 GAL
 MFG DATE
 101N171 READ GEH-2743

INDUSTRIAL SYSTEMS FORT EDWARD, N.Y., U.S.A.		SIZE	WEIGHT	<h1>OUTLINE</h1> <h2>98L506WC62</h2>
DRAWN	ACAD VBA	A	81.9 lbs 37.2 kg	
ISSUED	RAH	SCALE		SHEET 2
				CGNT 3
DATE	DATE			
10/12/99	10/12/99			