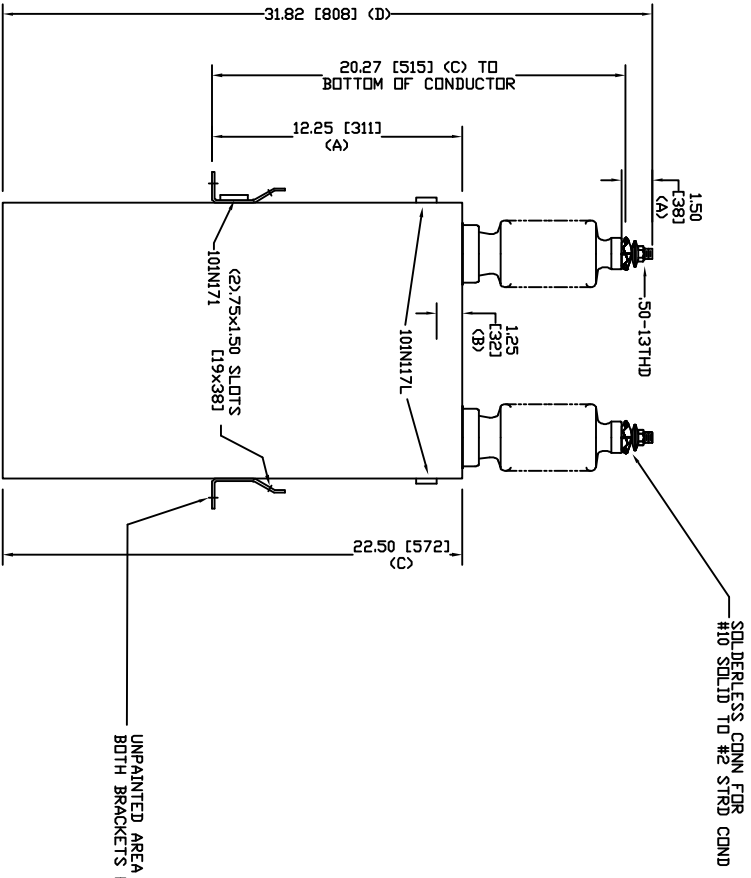
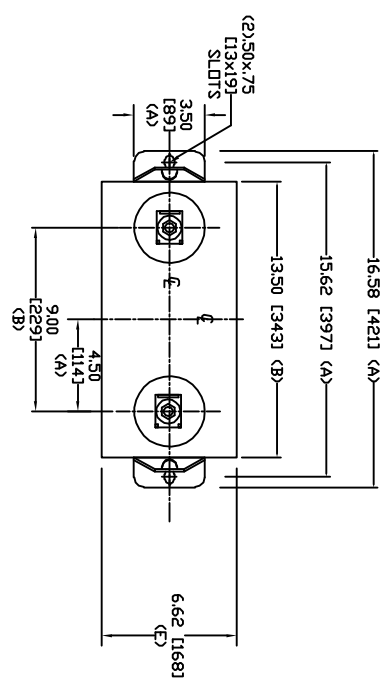



|      |             |          |          |
|------|-------------|----------|----------|
| SIZE | DWG. NO.    | SHT      | REV      |
| A    | 98L507WC60  | 2        | 0        |
| REV  | DESCRIPTION | DATE     | APPROVED |
| 0    | New         | 2/8/2006 |          |



SOLDERLESS CONN. FOR #10 SOLDER TO #2 STRD CONDUIT

| TOL | in.    | mm      |
|-----|--------|---------|
| A   | .06    | 1.5     |
| B   | .12    | 3.0     |
| C   | .18    | 4.6     |
| D   | .25    | 6.4     |
| E   | +.5/-1 | +13/-25 |

7620 V 1 PH 95 KV/BIL  
 500 KVAR 60 Hz  
 CAT. 98L507WC60  
 3.2 GAL  
 MFG DATE  
 101N171 READ GEH-2743


**GE ENERGY**  
**FORT EDWARD, N.Y., U.S.A.**

|        |          |      |            |
|--------|----------|------|------------|
| DRAWN  | ACAD VBA | DATE | 12/29/2009 |
| ISSUED | RAH      | DATE | 12/29/2009 |

SIZE **A** WEIGHT 90.4 lbs / 41.1 kg  
 SCALE  
**OUTLINE**  
**98L507WC60**  
 SHEET 2 OF 3