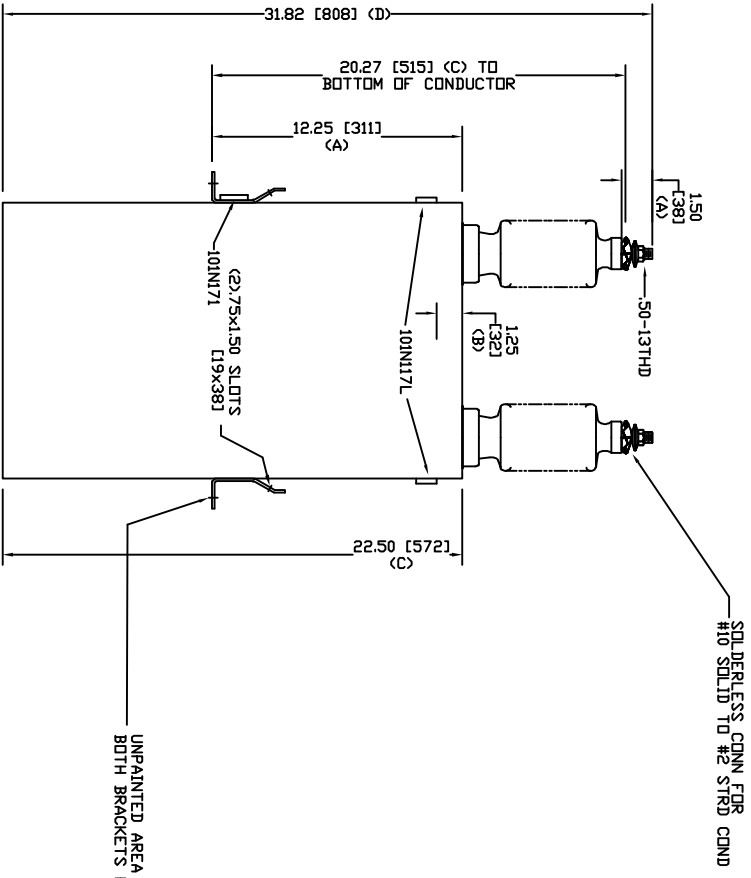
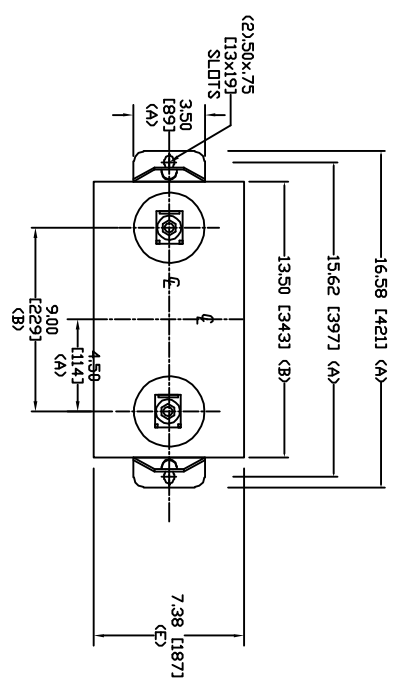


SIZE	DWG. NO.	SHT	REV
A	98L511WC10	2	0
REV	DESCRIPTION	DATE	APPROVED
0	New	1/26/2006	



SOLDERLESS CONN. FOR #10 SOLDER TO #2 STRD CONDUIT

TOL	In.	mm
A	.06	1.5
B	.12	3.0
C	.18	4.6
D	.25	6.4
E	+5/-1	+13/-25

12470 V 1 PH 95 KV/BIL
 500 KVAR 60 Hz
 CAT. 98L511WC10
 3.37 GAL
 MFG DATE
 101N171 READ GEH-2743

UNPAINTED AREA UNDER BOTH BRACKETS FOR GROUNDING

GE ENERGY
FORT EDWARD, N.Y., U.S.A.

SIZE **A** WEIGHT 98.1 lbs 44.6 Kg

DRAWN ACAD VBA DATE 2/12/2009

ISSUED RAH DATE 2/12/2009

OUTLINE
98L511WC10

SHEET 2 OF 3