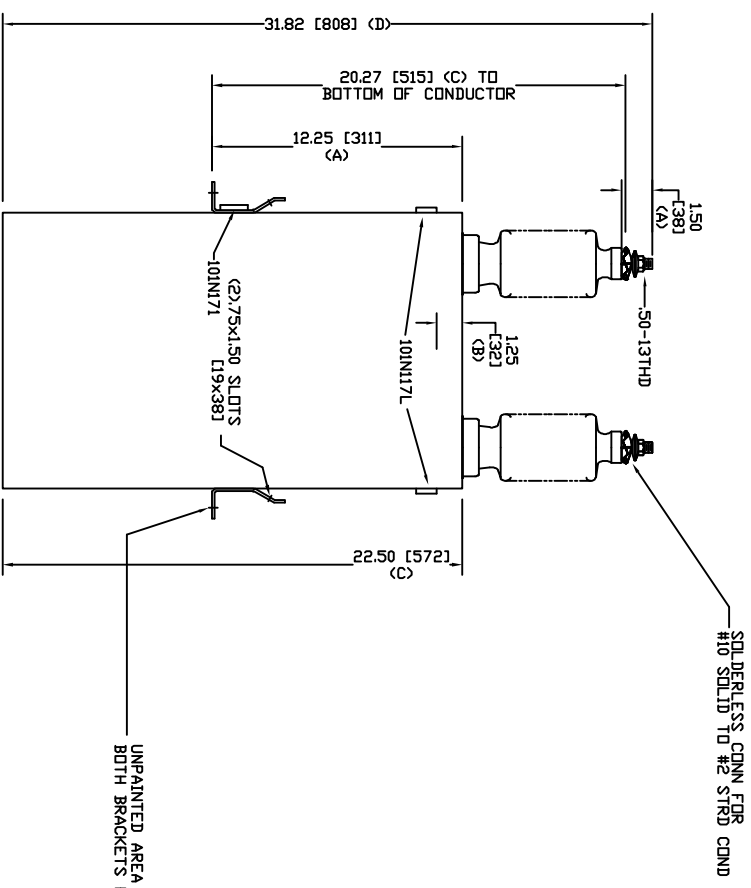
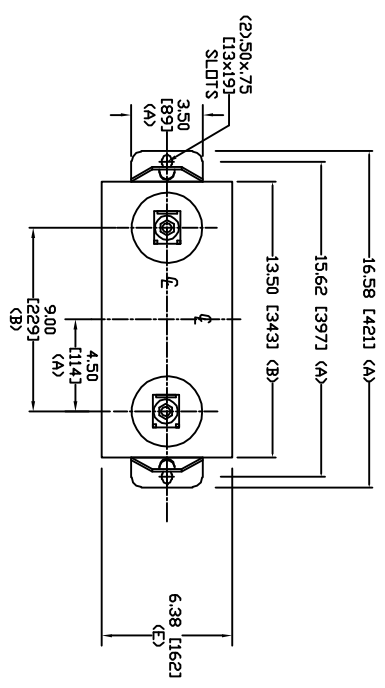


SIZE	DWG. NO.	SHT	REV
A	98L513WC60	2	0
REV	DESCRIPTION	DATE	APPROVED
0	New	7/11/2006	



TOL	In.	mm
A	.06	1.5
B	.12	3.0
C	.18	4.6
D	.25	6.4
E	+.5/-1	+13/-25

13800 V 1 PH 95 KV/BIL  
 500 KVAR 60 Hz  
 CAT. 98L513WC60  
 3.19 GAL  
 MFG DATE  
 101N171 READ GEH-2743

<b>INDUSTRIAL SYSTEMS</b> FORT EDWARD, N.Y., U.S.A.		SIZE	A	WEIGHT	85.4 lbs 38.8 kg	<b>OUTLINE</b> 98L513WC60	SHEET	2	COUNT	3
DRAWN	ACAD VBA	DATE	7/11/2006	SCALE						
ISSUED	RAH	DATE	7/11/2006							