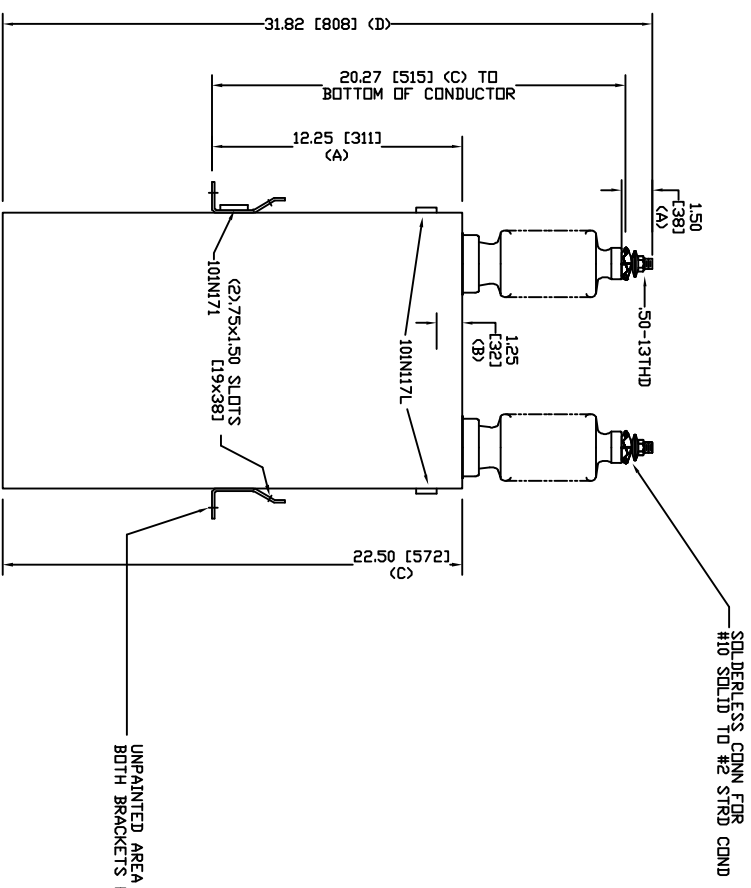
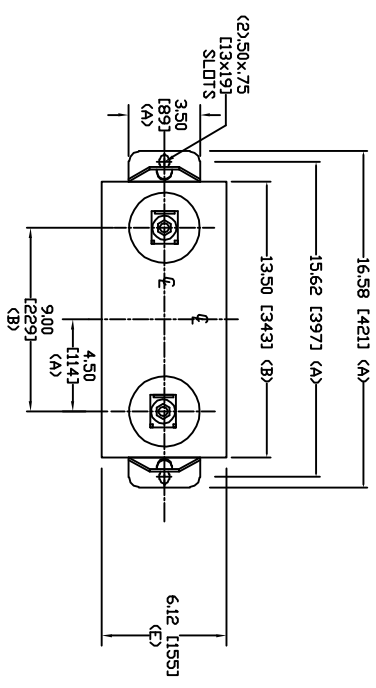


SIZE	DWG. NO.	SHT	REV
A	98LS14WC62	2	0
REV	DESCRIPTION	DATE	APPROVED
0	New	8/1/2006	



TOL	in.	mm
A	.06	1.5
B	.12	3.0
C	.18	4.6
D	.25	6.4
E	+5/-1	+13/-25

14400 V 1 PH 95 KV/BIL
 500 KVAR
 CAT. 98LS14WC62
 2.97 GAL
 MFG DATE
 101N171 READ GEH-2743

INDUSTRIAL SYSTEMS FORT EDWARD, N.Y., U.S.A.		SIZE	A	WEIGHT	81.8 lbs 37.2 Kg	OUTLINE 98LS14WC62	
DRAWN	ACAD VBA	DATE	8/1/06	SCALE		SHEET	2
ISSUED	RAH	DATE	8/1/06			CGNT	3