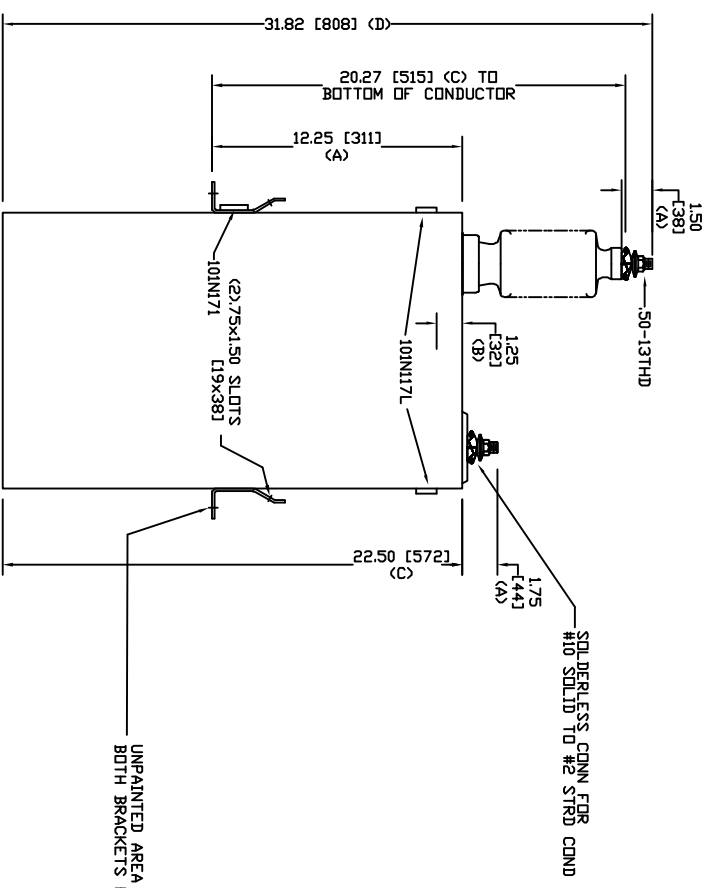
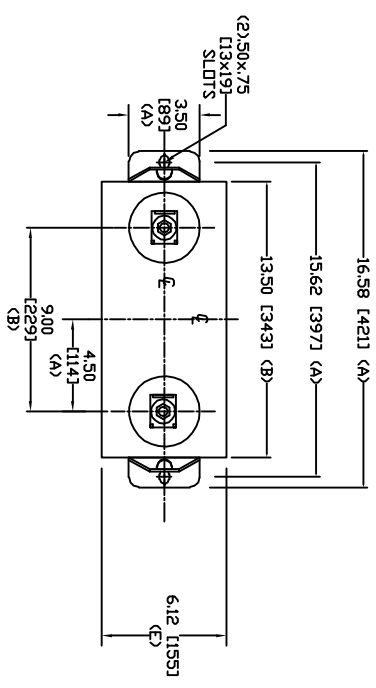



SIZE	DWG. NO.	SHT	REV
A	98L526WC62	2	0
REV	DESCRIPTION	DATE	APPROVED
0	New	2/21/2006	



UNPAINTED AREA UNDER BOTH BRACKETS FOR GROUNDING

TOL	In.	mm
A	.06	1.5
B	.12	3.0
C	.18	4.6
D	.25	6.4
E	+5/-1	+13/-25

7200 V 1 PH 95 KV/BIL  
 500 KVAR 60 Hz  
 CAT. 98L526WC62  
 2.96 GAL  
 MFG DATE  
 101N171 READ GEH-2743


**GE ENERGY**  
**FORT EDWARD, N.Y., U.S.A.**

DRAWN	ACAD VBA	DATE	9/15/02	SIZE	A	WEIGHT	82 lbs 37.3 kg	OUTLINE
ISSUED	RAH	DATE	9/15/02	SCALE				98L526WC62
								SHEET 2
								CGNT 3