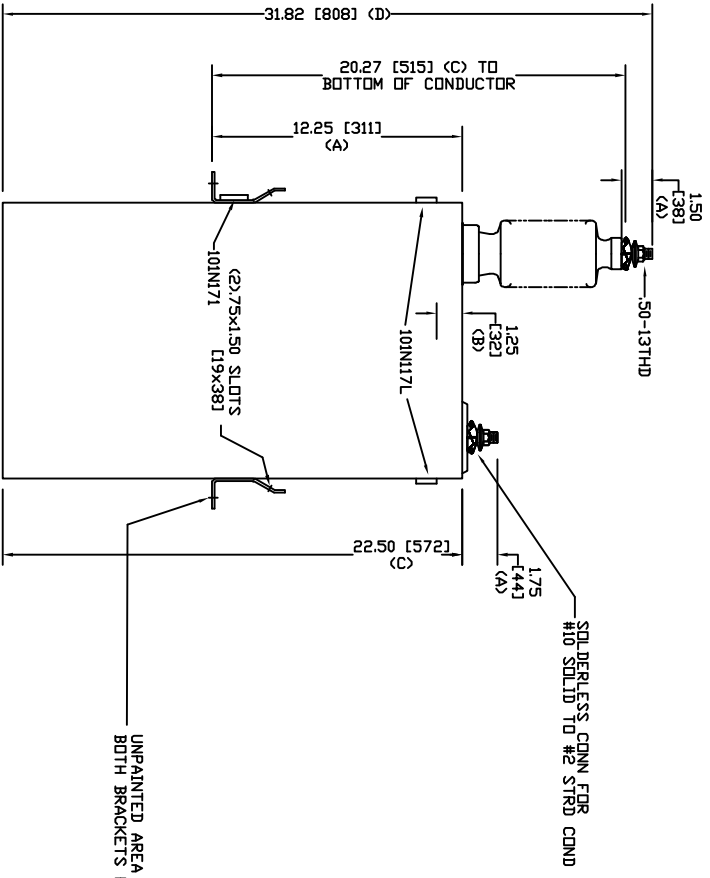
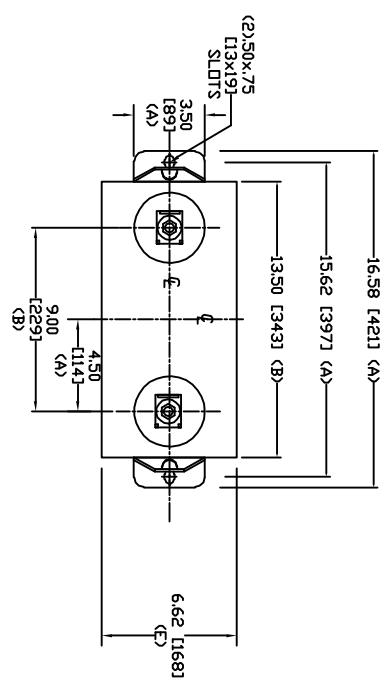



| SIZE | DWG. NO. | SHT | REV |
|------|-------------|----------|----------|
| A | 98L527WC60 | 2 | 0 |
| REV | DESCRIPTION | DATE | APPROVED |
| 0 | New | 2/8/2006 | |



| TOL | In. | mm |
|-----|-------|---------|
| A | .06 | 1.5 |
| B | .12 | 3.0 |
| C | .18 | 4.6 |
| D | .25 | 6.4 |
| E | +5/-1 | +13/-25 |

7620 V 1 PH 95 KV/BIL
 500 KVAR 60 Hz
 CAT. 98L527WC60
 3.2 GAL
 MFG DATE
 101N171 READ GEH-2743


GE ENERGY
FORT EDWARD, N.Y., U.S.A.

| | | | |
|--------|----------|------|------------|
| DRAWN | ACAD VBA | DATE | 12/29/2009 |
| ISSUED | RAH | DATE | 12/29/2009 |

SIZE: **A**
 WEIGHT: 90.5 lbs / 41.1 kg
 SCALE: **A**

OUTLINE
98L527WC60

SHEET 2 OF 3
 DWT 2
 DWT 3