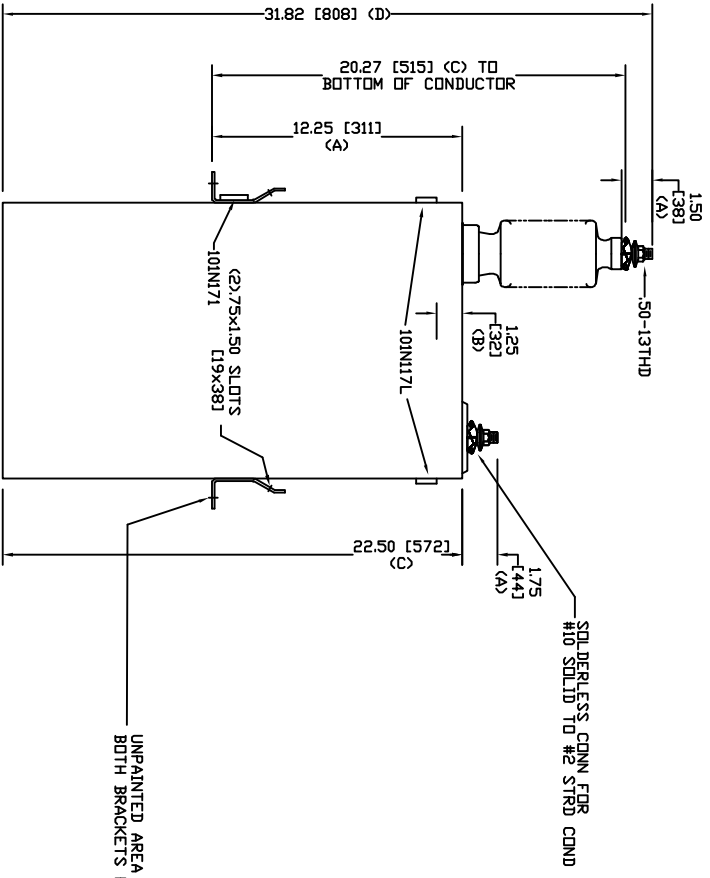
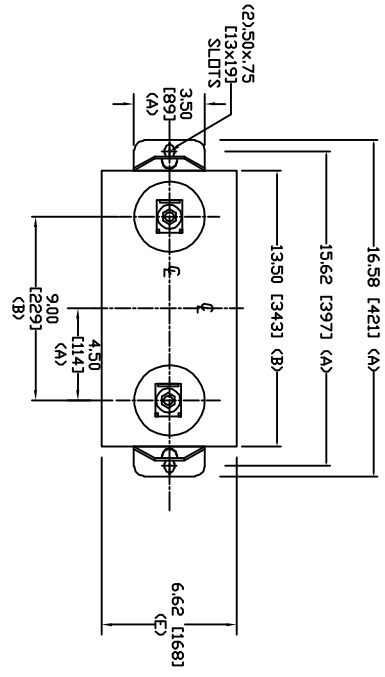



SIZE	DWG. NO.	SHT	REV
A	98L529WC60	2	0
REV	DESCRIPTION	DATE	APPROVED
0	New	2/6/2006	



TOL	In.	mm
A	.06	1.5
B	.12	3.0
C	.18	4.6
D	.25	6.4
E	+5/-1	+13/-25

8320 V 1 PH 95 KV/BIL
 500 KVAR 60 Hz
 CAT. 98L529WC60
 3.29 GAL
 MFG DATE
 101N171 READ GEH-2743


GE ENERGY
FORT EDWARD, N.Y., U.S.A.

DRAWN	ACAD VBA	DATE	12/29/2009
ISSUED	RAH	DATE	12/29/2009

SIZE **A** WEIGHT 89.3 lbs / 40.6 kg

OUTLINE
98L529WC60

SHEET 2 OF 3