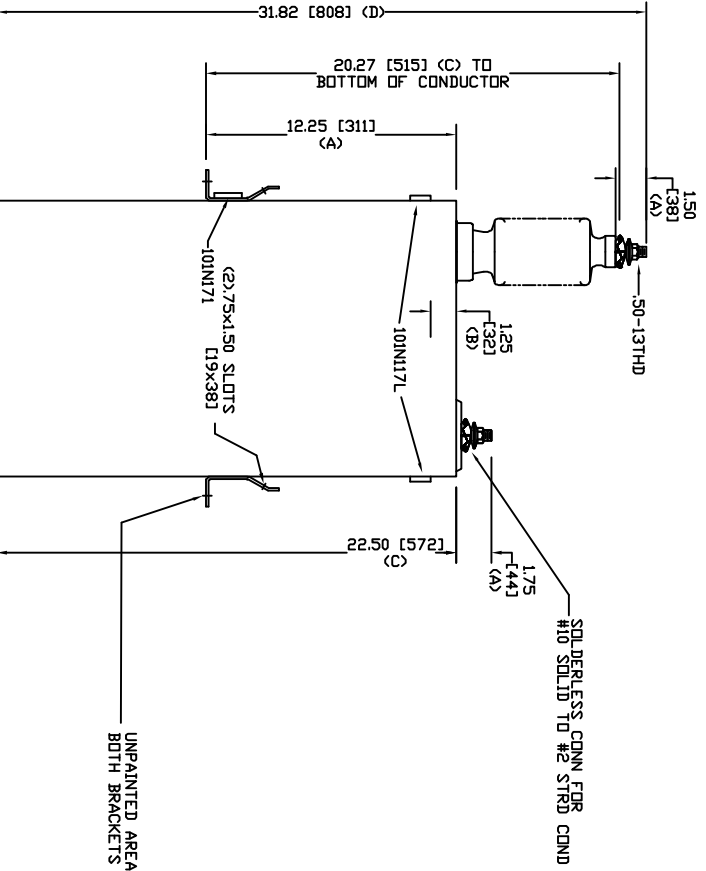
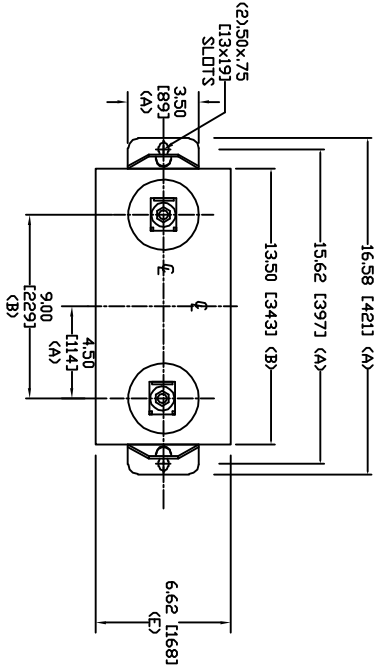


SIZE	DWG. NO.	SHT	REV
A	98LS30WC60	2	0
REV	DESCRIPTION	DATE	APPROVED
0	New	2/10/2006	



UNPAINTED AREA UNDER BOTH BRACKETS FOR GROUNDING

TOL	In.	mm
A	.06	1.5
B	.12	3.0
C	.18	4.6
D	.25	6.4
E	+5/-1	+13/-25

9960 V 1 PH 95 KV/BIL
 500 KVAR 60 Hz
 CAT. 98LS30WC60
 3.23 GAL
 MFG DATE
 101N171 READ GEH-2743



GE ENERGY
 FORT EDWARD, N.Y., U.S.A.

DRAWN ACAD VBA DATE 12/29/2009
 ISSUED RAH DATE 12/29/2009

SIZE A

WEIGHT 89.8 lbs
 40.8 kg

OUTLINE
 98LS30WC60

SCALE

SHEET 2 OF 3