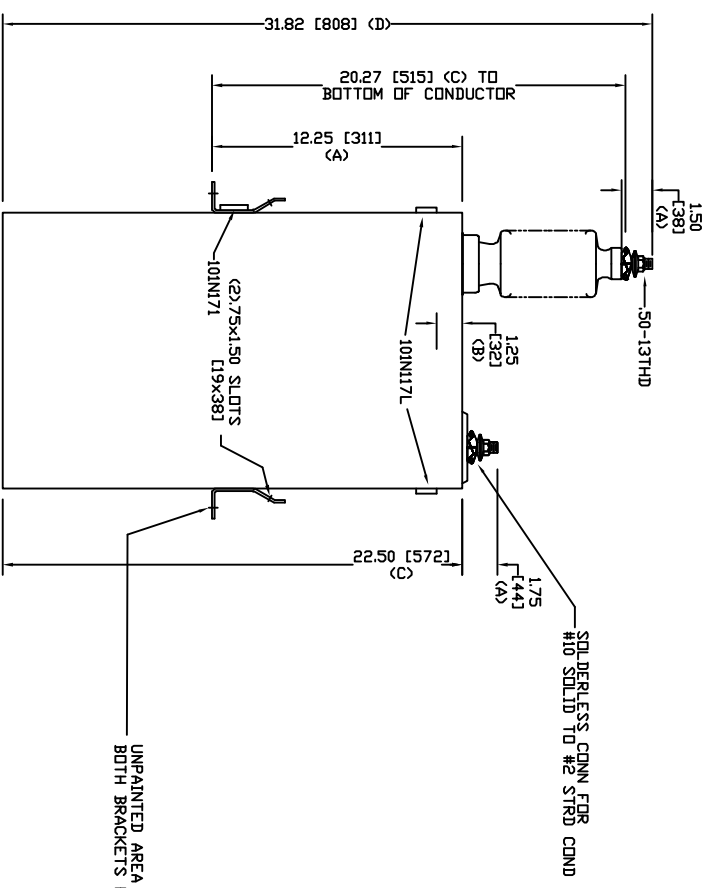
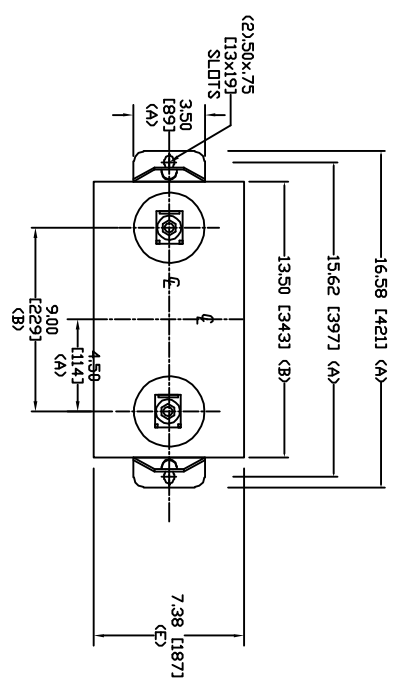


SIZE	DWG. NO.	SHT	REV
A	98L531WC10	2	0
REV	DESCRIPTION	DATE	APPROVED
0	New	1/26/2006	



TOL	In.	mm
A	.06	1.5
B	.12	3.0
C	.18	4.6
D	.25	6.4
E	+5/-1	+13/-25

12470 V 1 PH 95 KVBL  
 500 KVAR 60 Hz  
 CAT. 98L531WC10  
 3.37 GAL  
 MFG DATE  
 101N171 READ GEH-2743

UNPAINTED AREA UNDER BOTH BRACKETS FOR GROUNDING

SOLDERLESS CONN. FOR #10 SOLID TO #2 STRD COND

**GE ENERGY**  
**FORT EDWARD, N.Y., U.S.A.**

SIZE **A** WEIGHT 98.1 lbs 44.6 Kg

DRAWN ACAD VBA DATE 2/12/2009

ISSUED RAH DATE 2/12/2009

**OUTLINE**  
**98L531WC10**

SHEET 2 OF 3