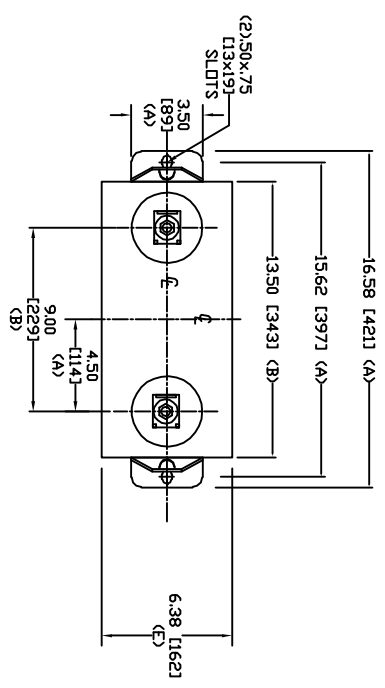
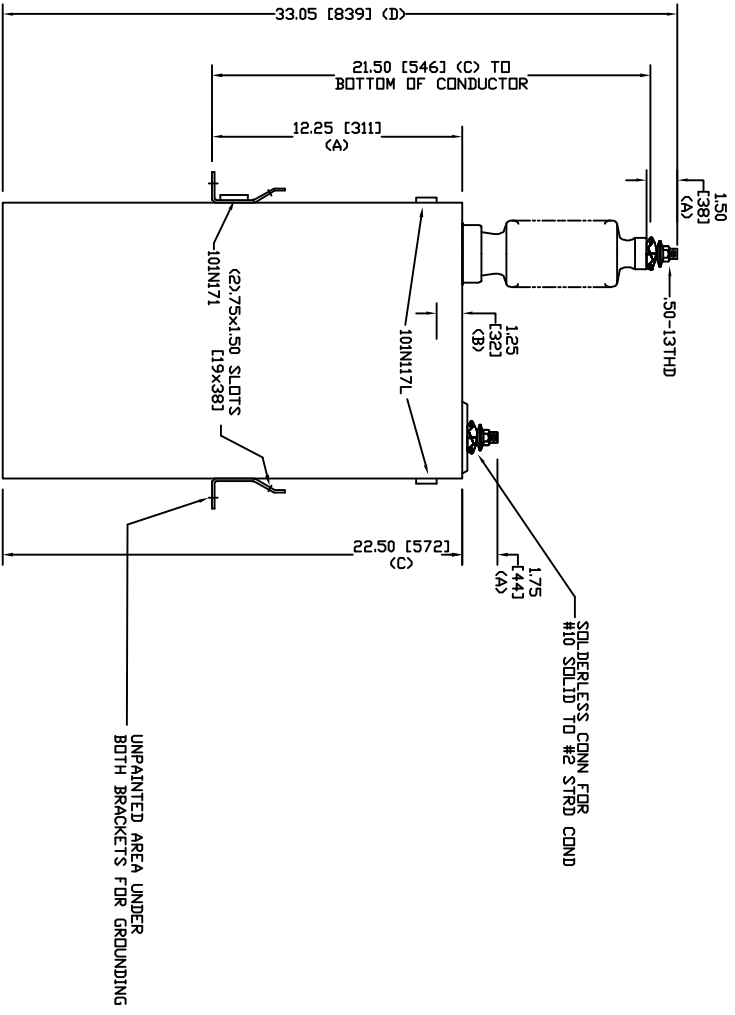



SIZE	DWG. NO.	SHT	REV
A	98L555WC61	2	0
REV	DESCRIPTION	DATE	APPROVED
0	New	2/22/2006	



TOL	in.	mm
A	.06	1.5
B	.12	3.0
C	.18	4.6
D	.25	6.4
E	+5/-1	+13/-25



19920 V 1 PH 150 KV/BIL
 500 KVAR 60 Hz
 CAT. 98L555WC61
 3.15 GAL
 MFG DATE
 101N171 READ GEH-2743


GE ENERGY
FORT EDWARD, N.Y., U.S.A.

DRAWN	ACAD VBA	DATE	4/13/06
ISSUED	RAH	DATE	4/13/06

SIZE **A** WEIGHT 88.2 lbs
 SCALE 40.1 kg

OUTLINE
98L555WC61

SHEET 2 OF 3
 CNT 3