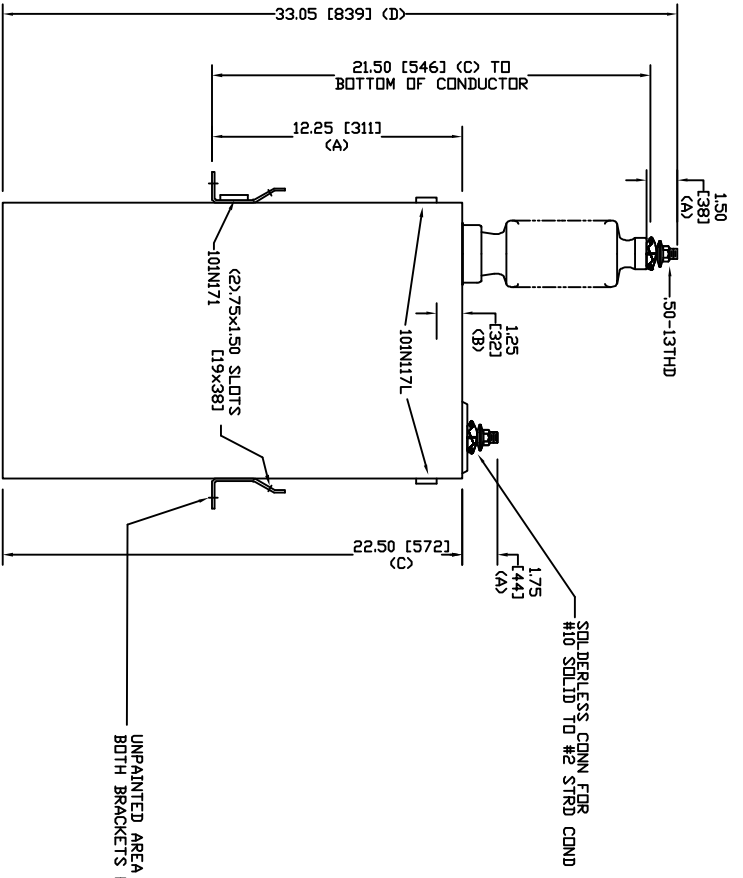
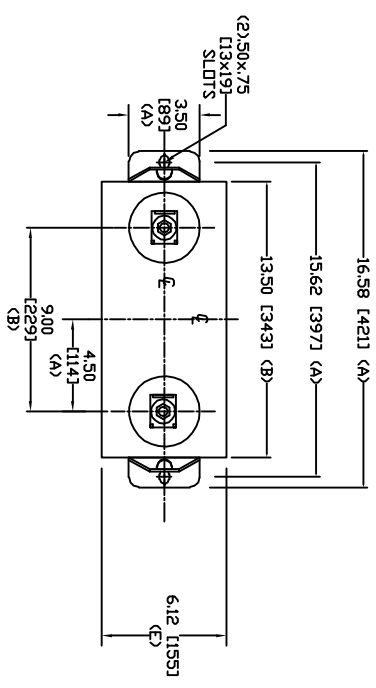


SIZE	DWG. NO.	SHT	REV
A	98L556WC61	2	0
REV	DESCRIPTION	DATE	APPROVED
0	New	2/22/2006	



UNPAINTED AREA UNDER BOTH BRACKETS FOR GROUNDING

TOL	In.	mm
A	.06	1.5
B	.12	3.0
C	.18	4.6
D	.25	6.4
E	+5/-1	+13/-25

21600 V 1 PH 150 KV/BIL
 500 KVAR 60 Hz
 CAT. 98L556WC61
 2.87 GAL
 MFG DATE
 101N171 READ GEH-2743

GE ENERGY
FORT EDWARD, N.Y., U.S.A.

GE Logo

DRAWN ACAD VBA DATE 8/18/06
 ISSUED RAH DATE 8/18/06

SIZE **A** WEIGHT 84.4 lbs / 38.4 kg

OUTLINE
 98L556WC61

SHEET 2 OF 3