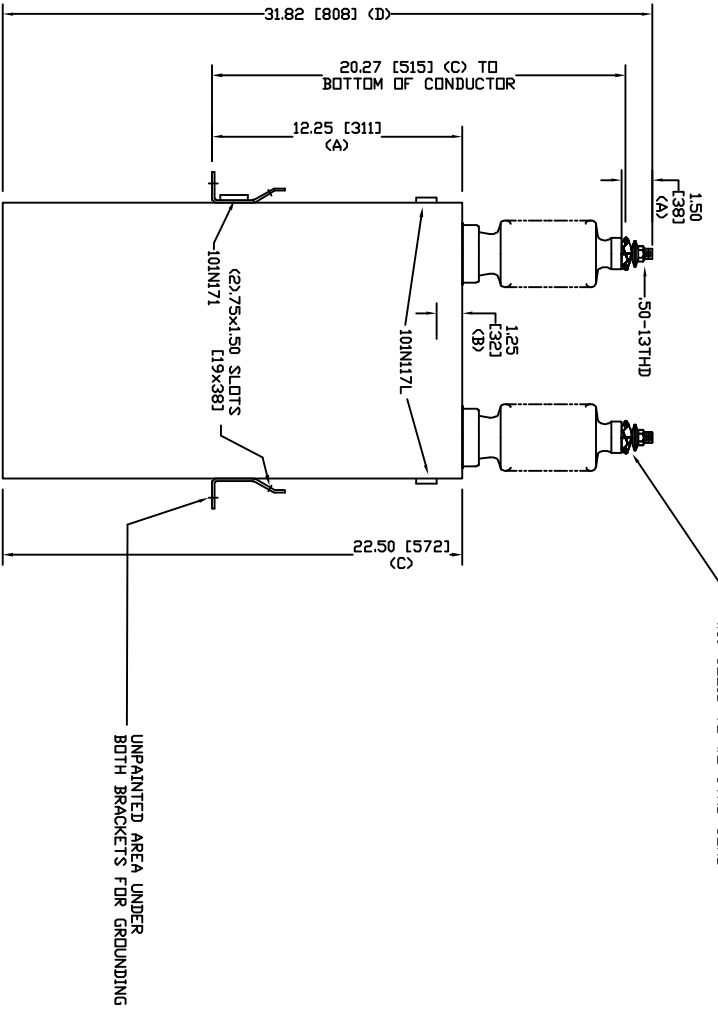
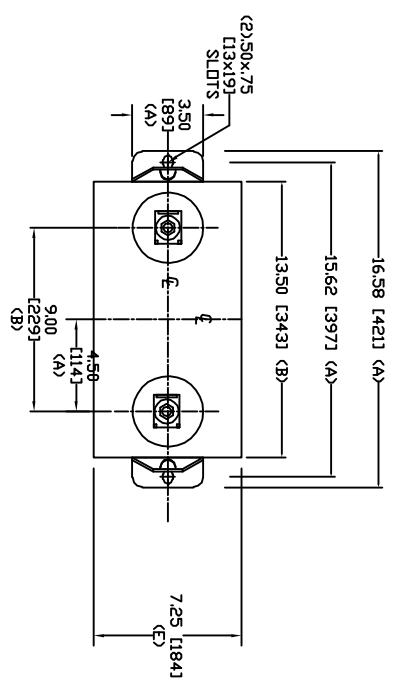


SIZE	DWG. NO.	SHT	REV
A	98L565WC60	2	0
REV	DESCRIPTION	DATE	APPROVED
0	New	6/21/2006	



TOL	in.	mm
A	.06	1.5
B	.12	3.0
C	.18	4.6
D	.25	6.4
E	+.5/-1	+13/-25

6640 V 1 PH 95 KV/BIL  
 600 KVAR 60 Hz  
 CAT. 98L565WC60  
 3.34 GAL  
 MFG DATE  
 101N171 READ GEH-2743

<b>GE ENERGY</b> <b>FORT EDWARD, N.Y., U.S.A.</b>		SIZE	A	WEIGHT	97 lbs 44.1 kg	<b>OUTLINE</b> <b>98L565WC60</b>	SHEET	2	COUNT	3
DRAWN	ACAD VBA	DATE	8/14/06	SCALE						
ISSUED	RAH	DATE	8/14/06							