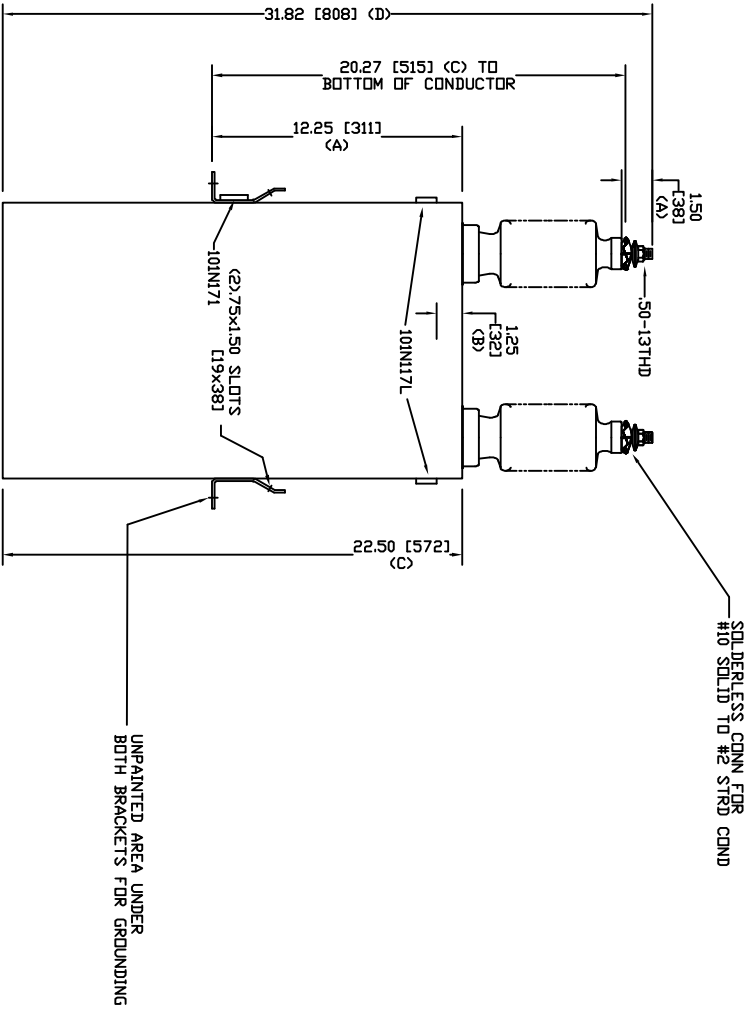
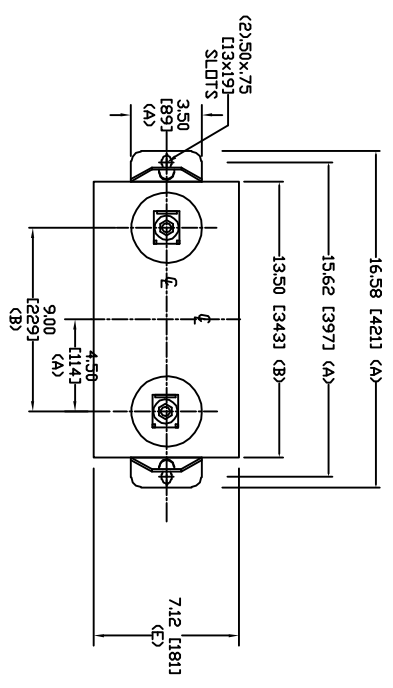


SIZE	DWG. NO.	SHT	REV
A	98L566WC60	2	0
REV	DESCRIPTION	DATE	APPROVED
0	New	3/8/2006	



TOL	in.	mm
A	.06	1.5
B	.12	3.0
C	.18	4.6
D	.25	6.4
E	+.5/-1	+13/-25

7200 V 1 PH 95 KVBL
 600 KVAR 60 Hz
 CAT. 98L566WC60
 3.24 GAL
 MFG DATE
 100N171 READ GEH-2743

GE ENERGY
FORT EDWARD, N.Y., U.S.A.

DRAWN	ACAD VBA	DATE	3/8/2006	SIZE	A	WEIGHT	94.5 lbs	OUTLINE 98L566WC60
ISSUED	RAH	DATE	3/8/2006	SCALE		43 kg		
				SHEET	2	CGNT	3	