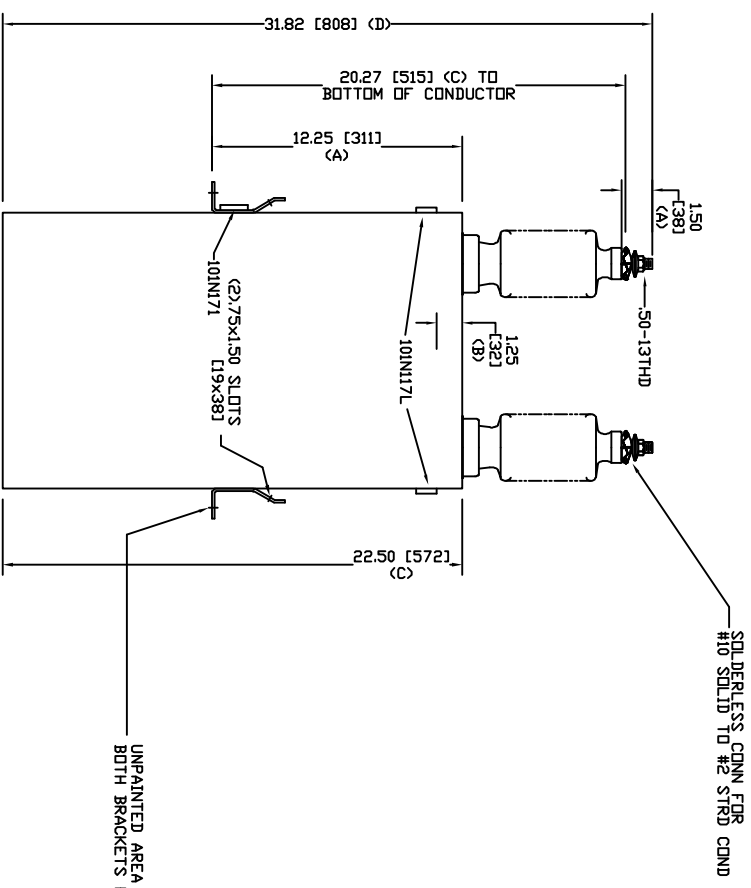
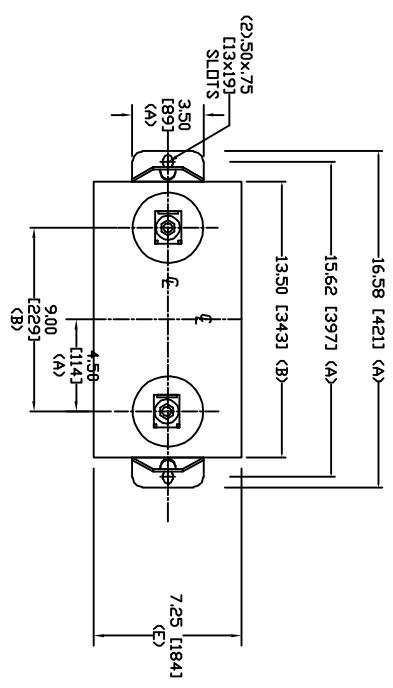


SIZE	DWG. NO.	SHT	REV
A	98L574WC62	2	0
REV	DESCRIPTION	DATE	APPROVED
0	New	8/1/2006	



SOLDERLESS CONN. FOR #10 SOLDER TO #2 STRD COND

UNPAINTED AREA UNDER BOTH BRACKETS FOR GROUNDING

TOL	in.	mm
A	.06	1.5
B	.12	3.0
C	.18	4.6
D	.25	6.4
E	+5/-1	+13/-25

14400 V 1 PH 95 KV/BIL  
 600 KVAR 60 Hz  
 CAT. 98L574WC62  
 3.37 GAL  
 MFG DATE  
 101N171 READ GEH-2743

<b>INDUSTRIAL SYSTEMS</b> FORT EDWARD, N.Y., U.S.A.		SIZE	WEIGHT	<b>OUTLINE</b> 98L574WC62
DRAWN	ACAD VBA	A	96.1 lbs 43.7 kg	
ISSUED	RAH	SCALE		SHEET 2
				CGNT 3
DATE	8/1/06			
DATE	8/1/06			