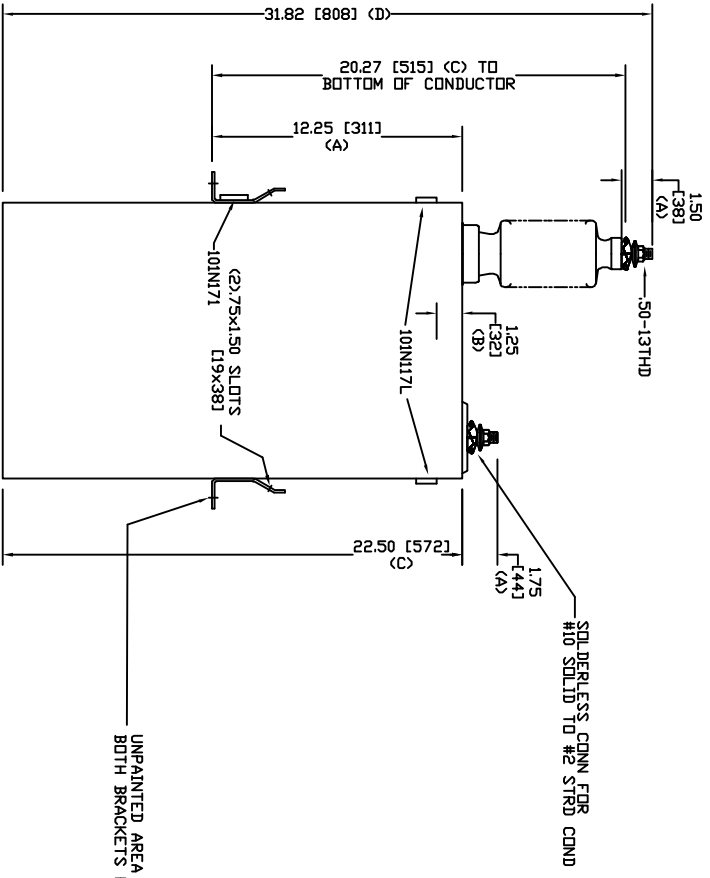
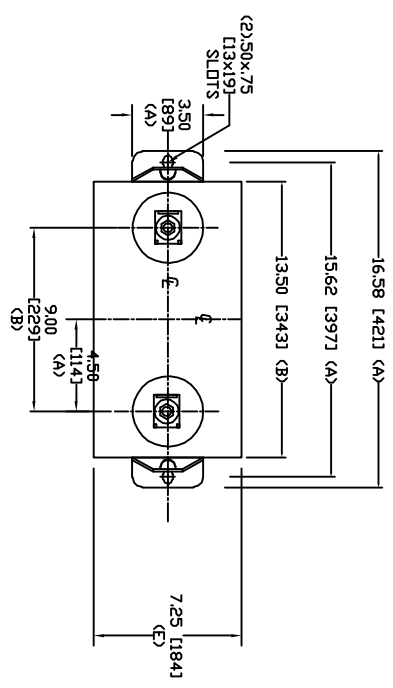



SIZE	DWG. NO.	SHT	REV
A	98L585WC60	2	0
REV	DESCRIPTION	DATE	APPROVED
0	New	6/21/2006	



UNPAINTED AREA UNDER BOTH BRACKETS FOR GROUNDING

TOL	in.	mm
A	.06	1.5
B	.12	3.0
C	.18	4.6
D	.25	6.4
E	+5/-1	+13/-25

6640 V 1 PH 95 KV/BIL
 600 KVAR 60 Hz
 CAT. 98L585WC60
 3.34 GAL
 MFG DATE
 101N171 READ GEH-2743


GE ENERGY
FORT EDWARD, N.Y., U.S.A.

DRAWN	ACAD VBA	DATE	8/14/06	SIZE	A	WEIGHT	97.1 lbs 44.1 kg	OUTLINE 98L585WC60	SHEET	2	CGNT	3
ISSUED	RAH	DATE	8/14/06	SCALE								