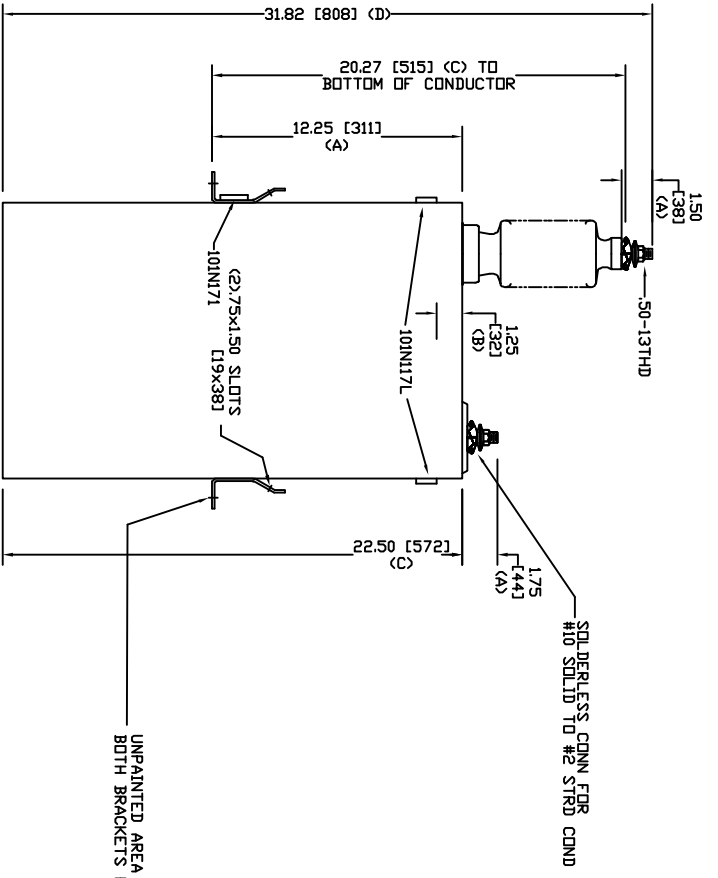
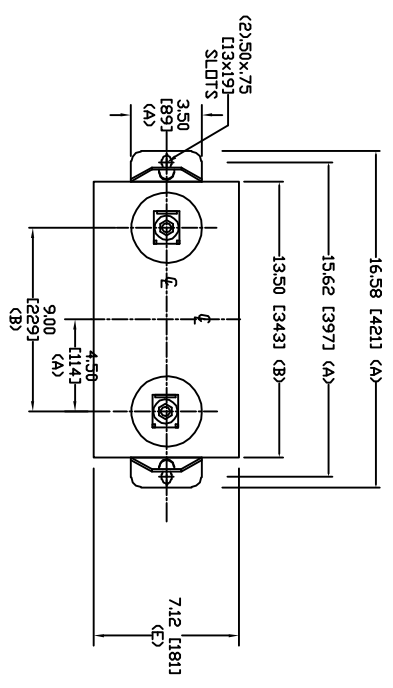


| SIZE | DWG. NO.    | SHT      | REV      |
|------|-------------|----------|----------|
| A    | 98L586WC60  | 2        | 0        |
| REV  | DESCRIPTION | DATE     | APPROVED |
| 0    | New         | 3/8/2006 |          |



UNPAINTED AREA UNDER BOTH BRACKETS FOR GROUNDING

| TOL | In.   | mm      |
|-----|-------|---------|
| A   | .06   | 1.5     |
| B   | .12   | 3.0     |
| C   | .18   | 4.6     |
| D   | .25   | 6.4     |
| E   | +5/-1 | +13/-25 |

7200 V 1 PH 95 KVBL  
 600 KVAR 60 Hz  
 CAT. 98L586WC60  
 3.24 GAL  
 MFG DATE  
 101N171 READ GEH-2743

**GE ENERGY**  
**FORT EDWARD, N.Y., U.S.A.**

DRAWN ACAD VBA DATE 6/30/06  
 ISSUED RAH DATE 6/30/06

SIZE **A** WEIGHT 94.6 lbs  
 SCALE 43 kg

**OUTLINE**  
**98L586WC60**

SHEET 2 OF 3