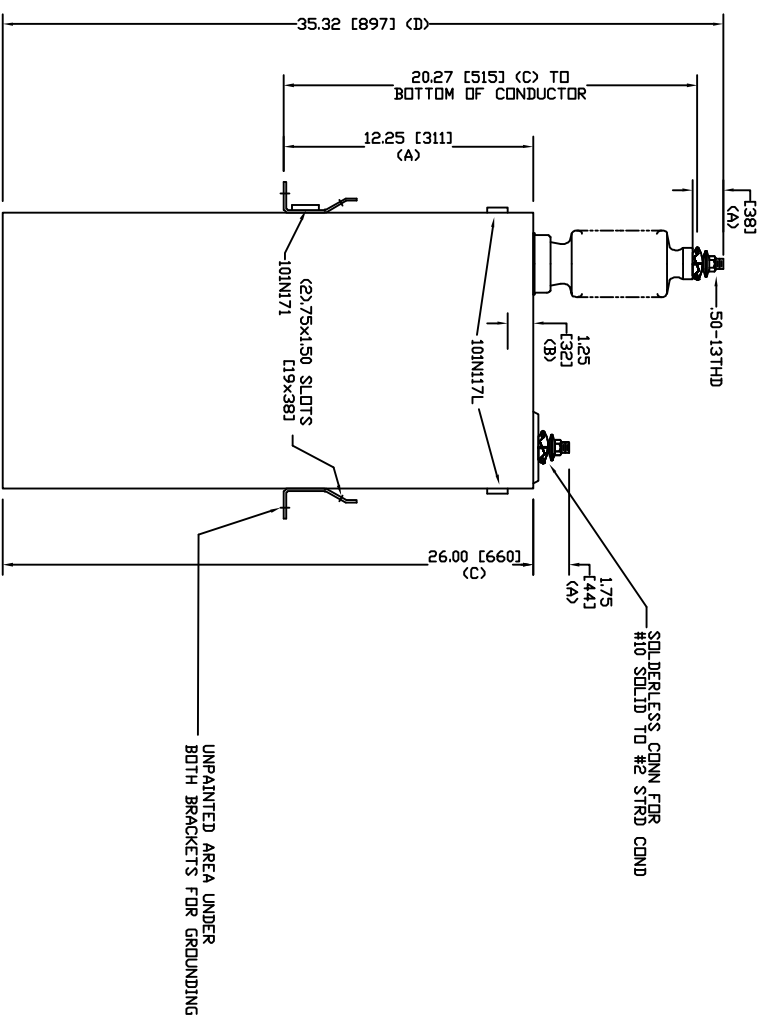
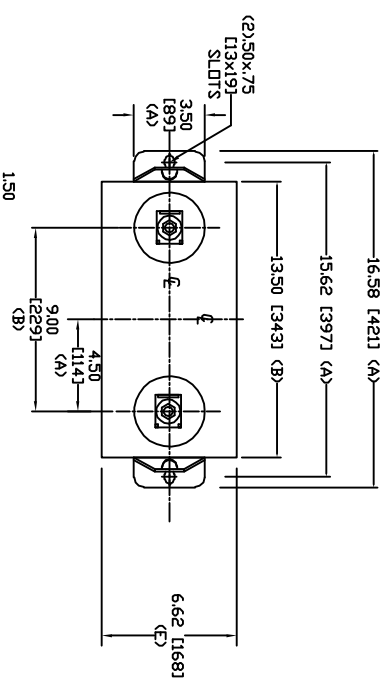


SIZE	DWG. NO.	SHT	REV
A	98L587WC60	2	0
REV	DESCRIPTION	DATE	APPROVED
0	New	2/8/2006	




UNPAINTED AREA UNDER BOTH BRACKETS FOR GROUNDING

SOLDERLESS CONN FOR CONDUCTOR #10 SOLDER TO #2 STRD

TOL	in.	mm
A	.06	1.5
B	.12	3.0
C	.18	4.6
D	.25	6.4
E	+.5/-1	+13/-25

7620 V 1 PH 95 KV/BIL
 600 KVAR 60 Hz
 CAT. 98L587WC60
 3.63 GAL
 MFG DATE
 101N171 READ GEH-2743


GE ENERGY
FORT EDWARD, N.Y., U.S.A.

DRAWN	ACAD VBA	DATE	1/16/2010
ISSUED	RAH	DATE	1/16/2010

SIZE **A** WEIGHT 103.9 lbs 47.2 kg
OUTLINE
98L587WC60

SHEET 2 OF 3
 DISTR. TO 201