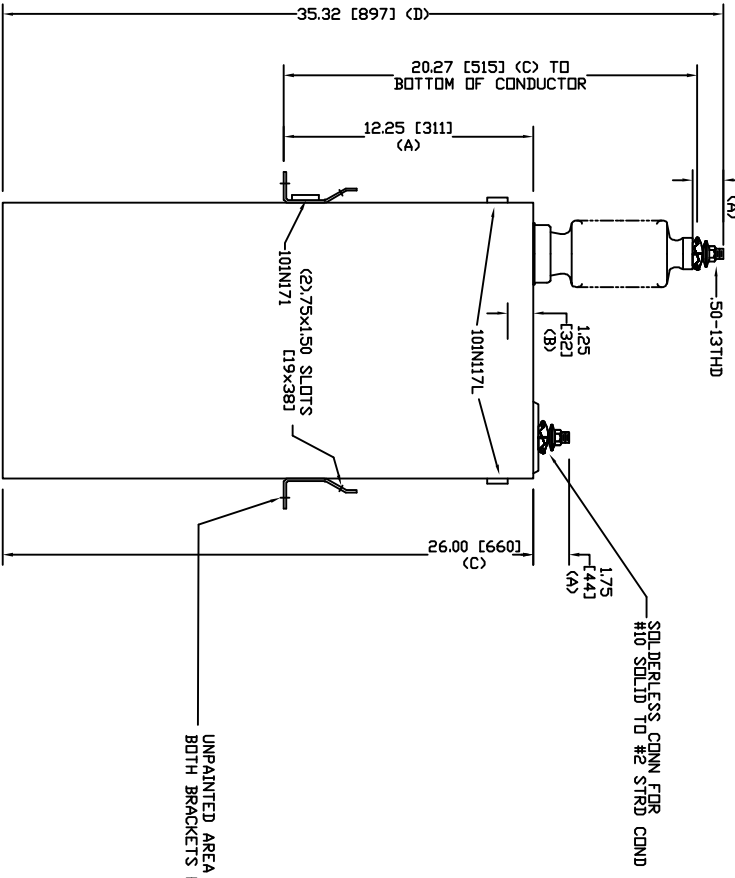
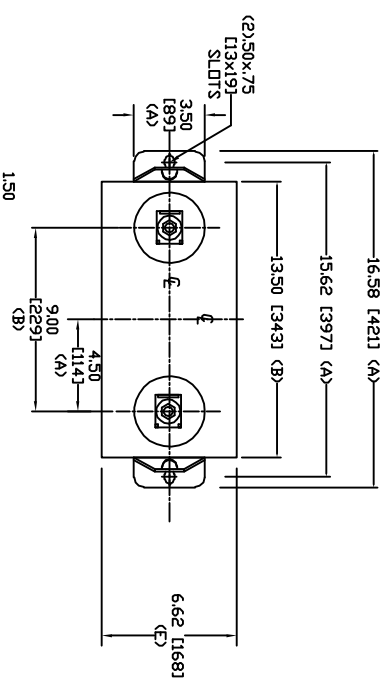



SIZE	DWG. NO.	SHT	REV
A	98L588WC60	2	0
REV	DESCRIPTION	DATE	APPROVED
0	New	11/16/2005	



UNPAINTED AREA UNDER BOTH BRACKETS FOR GROUNDING

TOL	In.	mm
A	.06	1.5
B	.12	3.0
C	.18	4.6
D	.25	6.4
E	+5/-1	+13/-25

7960 V 1 PH 95 KV/BIL
 600 KVAR 60 Hz
 CAT. 98L588WC60
 3.67 GAL
 MFG DATE
 101N171 READ GEH-2743


GE ENERGY
 FORT EDWARD, N.Y., U.S.A.

DRAWN	ACAD VBA	DATE	1/18/2010
ISSUED	RAH	DATE	1/18/2010

SIZE: **A**
 WEIGHT: 103.2 lbs / 46.9 kg

OUTLINE
 98L588WC60

SHEET 2 OF 3
 DWT 3