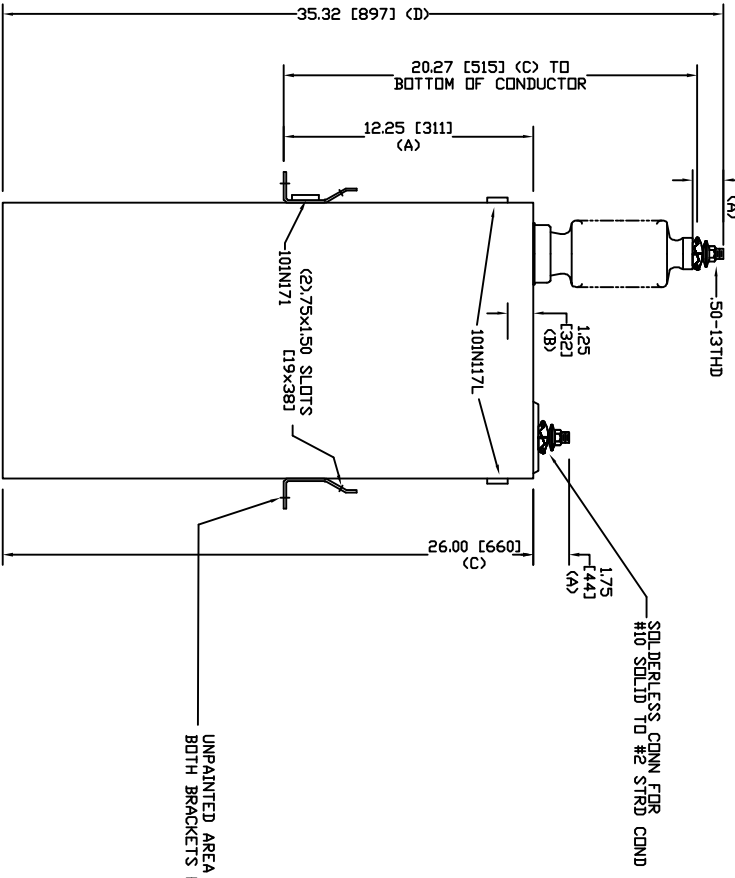
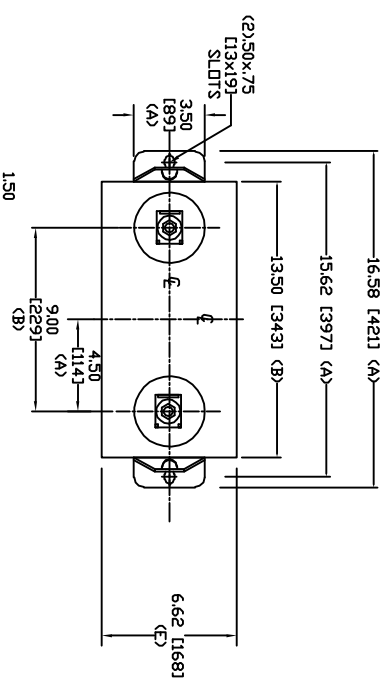


SIZE	DWG. NO.	SHT	REV
A	98L589WC60	2	0
REV	DESCRIPTION	DATE	APPROVED
0	New	2/6/2006	




UNPAINTED AREA UNDER BOTH BRACKETS FOR GROUNDING

SOLDERLESS CONN FOR #10 SOLID TO #2 STRD

TOL	In.	mm
A	.06	1.5
B	.12	3.0
C	.18	4.6
D	.25	6.4
E	+5/-1	+13/-25

8320 V 1 PH 95 KV/BIL  
 600 KVAR 60 Hz  
 CAT. 98L589WC60  
 3.68 GAL  
 MFG DATE  
 101N171 READ GEH-2743


**GE ENERGY**  
 FORT EDWARD, N.Y., U.S.A.

DRAWN	ACAD VBA	DATE	1/18/2010
ISSUED	RAH	DATE	1/18/2010

SIZE **A** WEIGHT 102.6 lbs 46.6 kg  
 SCALE

**OUTLINE**  
 98L589WC60

SHEET 2 OF 3  
 CNT 3