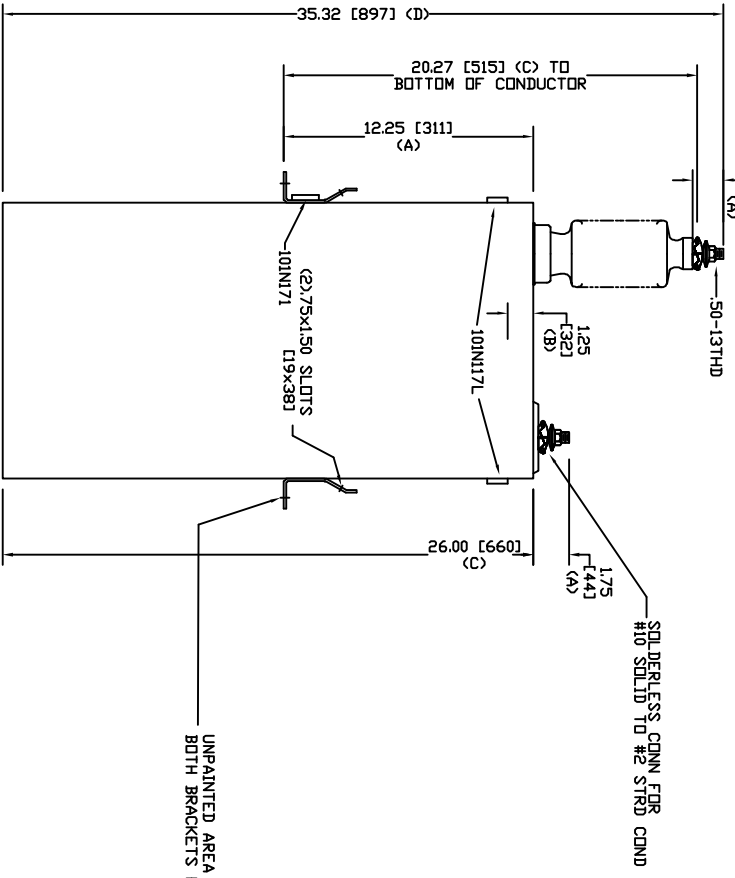
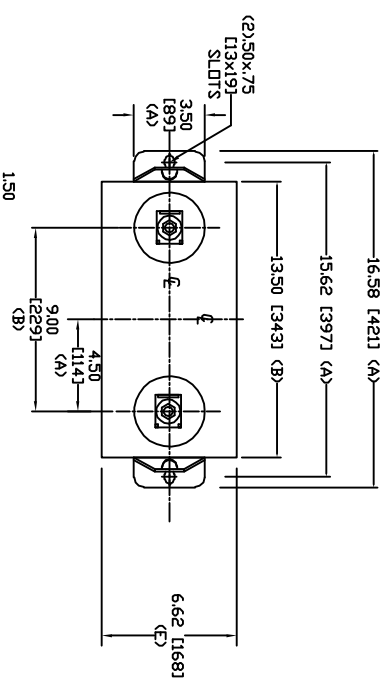


| SIZE | DWG. NO. | SHT | REV |
|------|-------------|-----------|----------|
| A | 98L590WC60 | 2 | 0 |
| REV | DESCRIPTION | DATE | APPROVED |
| 0 | New | 2/10/2006 | |



UNPAINTED AREA UNDER BOTH BRACKETS FOR GROUNDING

SOLDERLESS CONN FOR #10 SOLID TO #2 STRD

| TOL | in. | mm |
|-----|--------|---------|
| A | .06 | 1.5 |
| B | .12 | 3.0 |
| C | .18 | 4.6 |
| D | .25 | 6.4 |
| E | +.5/-1 | +13/-25 |

9960 V 1 PH 95 KV/BIL
 600 KVAR 60 Hz
 CAT. 98L590WC60
 366 GAL
 MFG DATE
 101N171 READ GEH-2743



GE ENERGY
 FORT EDWARD, N.Y., U.S.A.

DRAWN ACAD VBA DATE 9/26/2007
 ISSUED RAH DATE 9/26/2007

SIZE A
 WEIGHT 103.3 lbs
 47 kg

OUTLINE
 98L590WC60

SHEET 2 OF 3