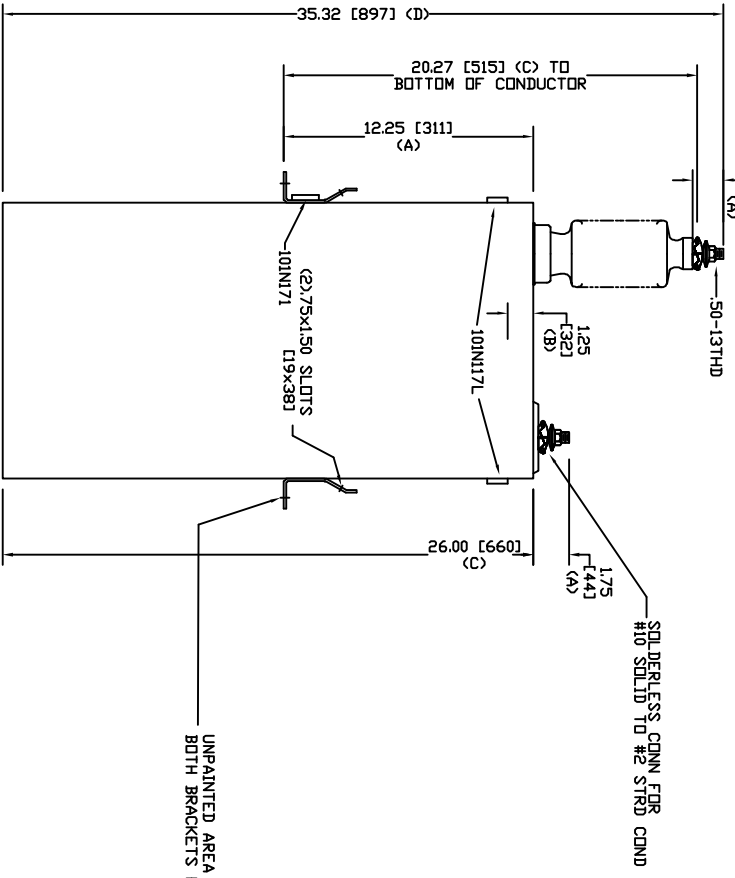
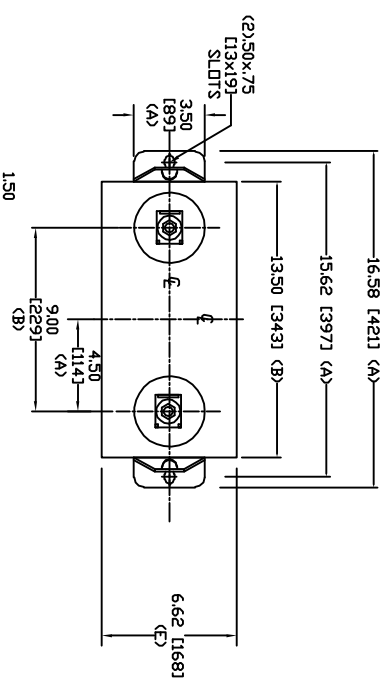



SIZE	DWG. NO.	SHT	REV
A	98L591WC60	2	0
REV	DESCRIPTION	DATE	APPROVED
0	New	7/21/2006	



UNPAINTED AREA UNDER BOTH BRACKETS FOR GROUNDING

TOL	In.	mm
A	.06	1.5
B	.12	3.0
C	.18	4.6
D	.25	6.4
E	+5/-1	+13/-25

12470 V 1 PH 95 KV/BIL
 600 KVAR 60 Hz
 CAT. 98L591WC60
 3.69 GAL
 MFG DATE
 101N171 READ GEH-2743


GE ENERGY
FORT EDWARD, N.Y., U.S.A.

DRAWN	ACAD VBA	DATE	1/18/2010
ISSUED	RAH	DATE	1/18/2010

SIZE **A** WEIGHT 102.7 lbs
 SCALE 46.7 kg

OUTLINE
98L591WC60

SHEET 2 OF 3
 CNT 3