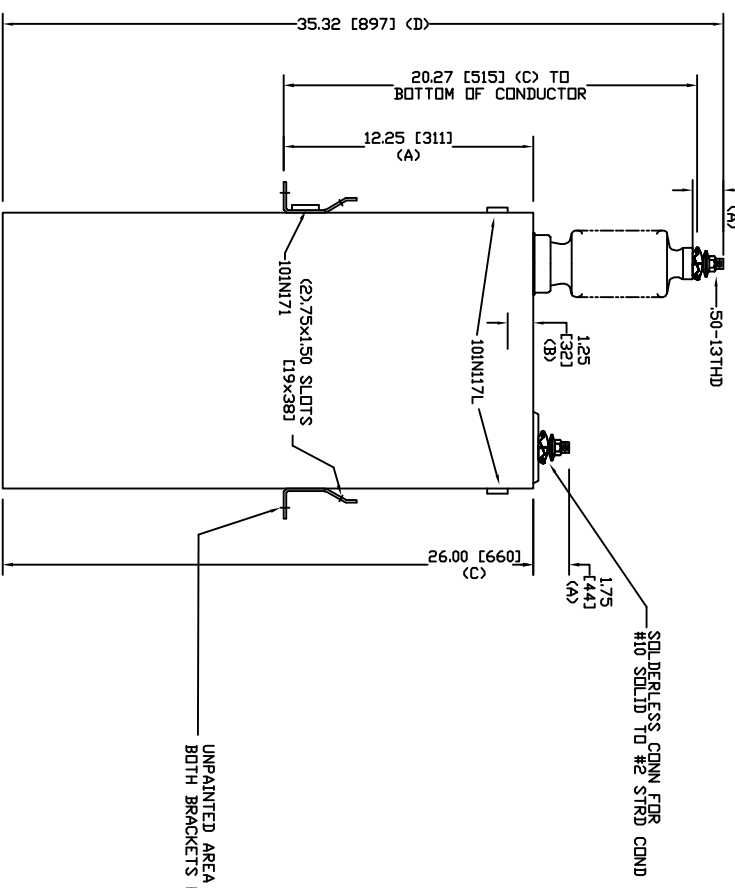
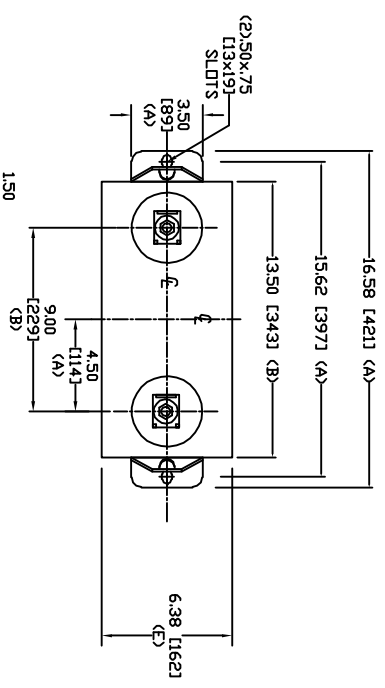


SIZE	DWG. NO.	SHT	REV
A	98L592WC62	2	0
REV	DESCRIPTION	DATE	APPROVED
0	New	7/14/2006	



UNPAINTED AREA UNDER BOTH BRACKETS FOR GROUNDING

TOL	In.	mm
A	.06	1.5
B	.12	3.0
C	.18	4.6
D	.25	6.4
E	+5/-1	+13/-25

13280 V 1 PH 95 KV/BIL
 600 KVAR 60 Hz
 CAT. 98L592WC62
 3.63 GAL
 MFG DATE
 101N171 READ GEH-2743



INDUSTRIAL SYSTEMS
 FORT EDWARD, N.Y., U.S.A.

DRAWN ACAD VBA DATE 7/14/2006
 ISSUED RAH DATE 7/14/2006

SIZE A WEIGHT 98.7 lbs 44.9 kg
 SCALE
 OUTLINE
 SHEET 2 OF 3