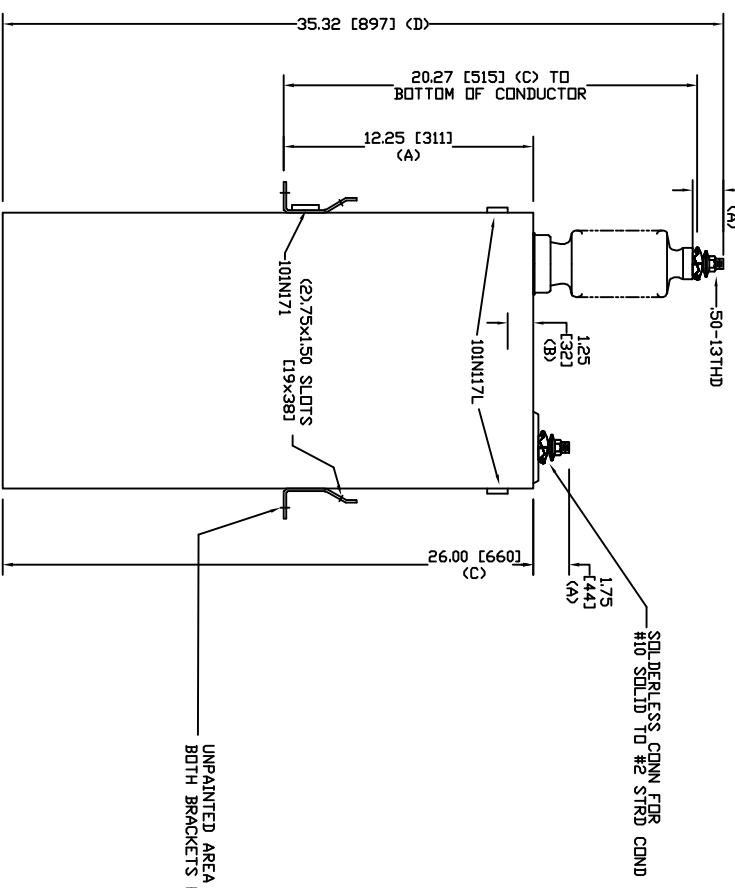
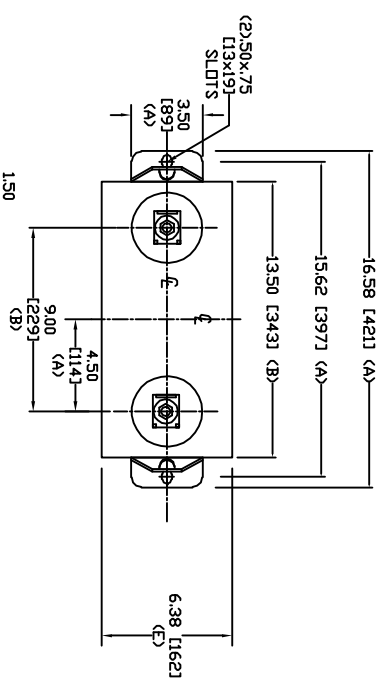


SIZE	DWG. NO.	SHT	REV
A	98L593WC62	2	0
REV	DESCRIPTION	DATE	APPROVED
0	New	7/11/2006	



UNPAINTED AREA UNDER BOTH BRACKETS FOR GROUNDING

TOL	In.	mm
A	.06	1.5
B	.12	3.0
C	.18	4.6
D	.25	6.4
E	+5/-1	+13/-25

13800 V 1 PH 95 KV/BIL
 600 KVAR 60 Hz
 CAT. 98L593WC62
 3.62 GAL
 MFG DATE
 101N171 READ GEH-2743



INDUSTRIAL SYSTEMS
 FORT EDWARD, N.Y., U.S.A.

DRAWN ACAD VBA DATE 7/11/2006
 ISSUED RAH DATE 7/11/2006

SIZE A
 WEIGHT 98.1 lbs
 44.6 kg

OUTLINE
 98L593WC62

SHEET 2
 CNT 3