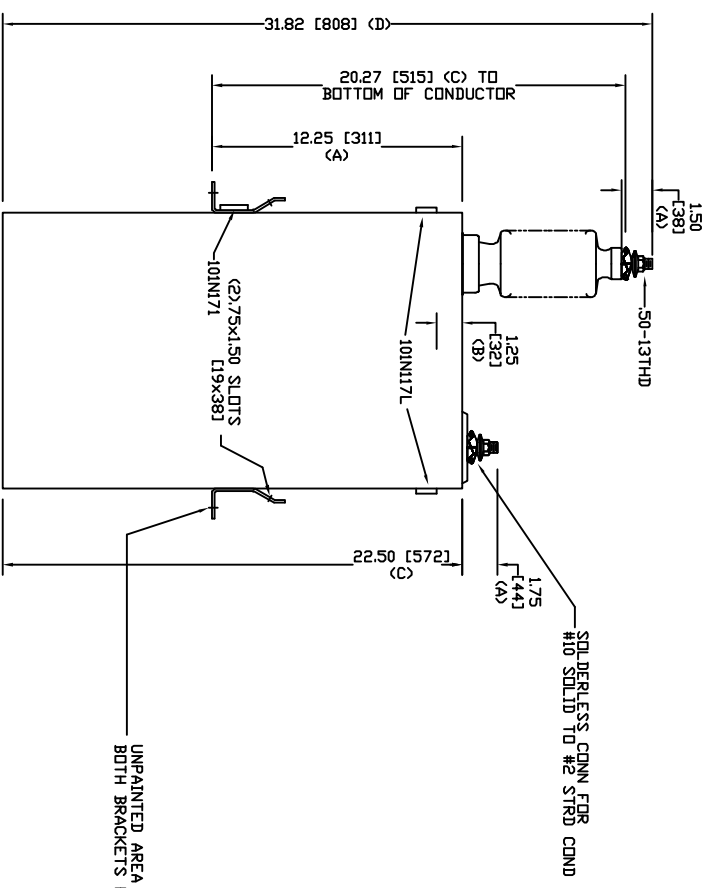
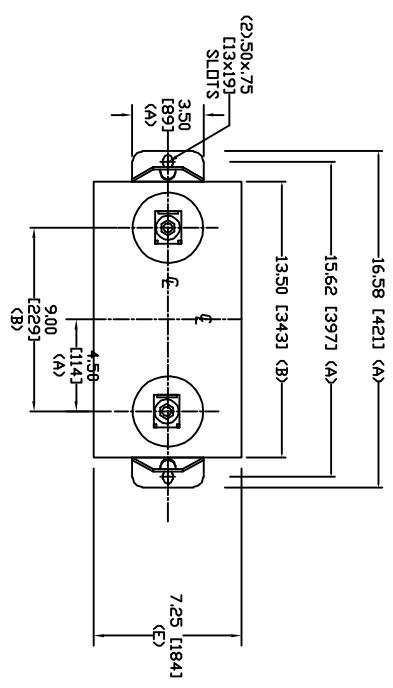


SIZE	DWG. NO.	SHT	REV
A	98L594WC62	2	0
REV	DESCRIPTION	DATE	APPROVED
0	New	8/1/2006	



UNPAINTED AREA UNDER BOTH BRACKETS FOR GROUNDING

SOLDERLESS CONN. FOR #10 SOLID TO #2 STRD COND

TOL	In.	mm
A	.06	1.5
B	.12	3.0
C	.18	4.6
D	.25	6.4
E	+5/-1	+13/-25

14400 V 1 PH 95 KV/BIL  
 600 KVAR 60 Hz  
 CAT. 98L594WC62  
 3.37 GAL  
 MFG DATE  
 101N171 READ GEH-2743



INDUSTRIAL SYSTEMS  
 FORT EDWARD, N.Y., U.S.A.

DRAWN ACAD VBA DATE 8/1/06  
 ISSUED RAH DATE 8/1/06

SIZE A

WEIGHT 96.1 lbs  
 43.7 kg

OUTLINE  
 98L594WC62

SHEET 2 OF 3