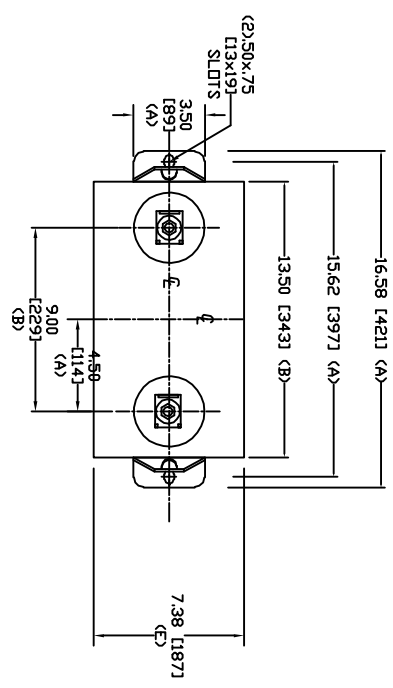
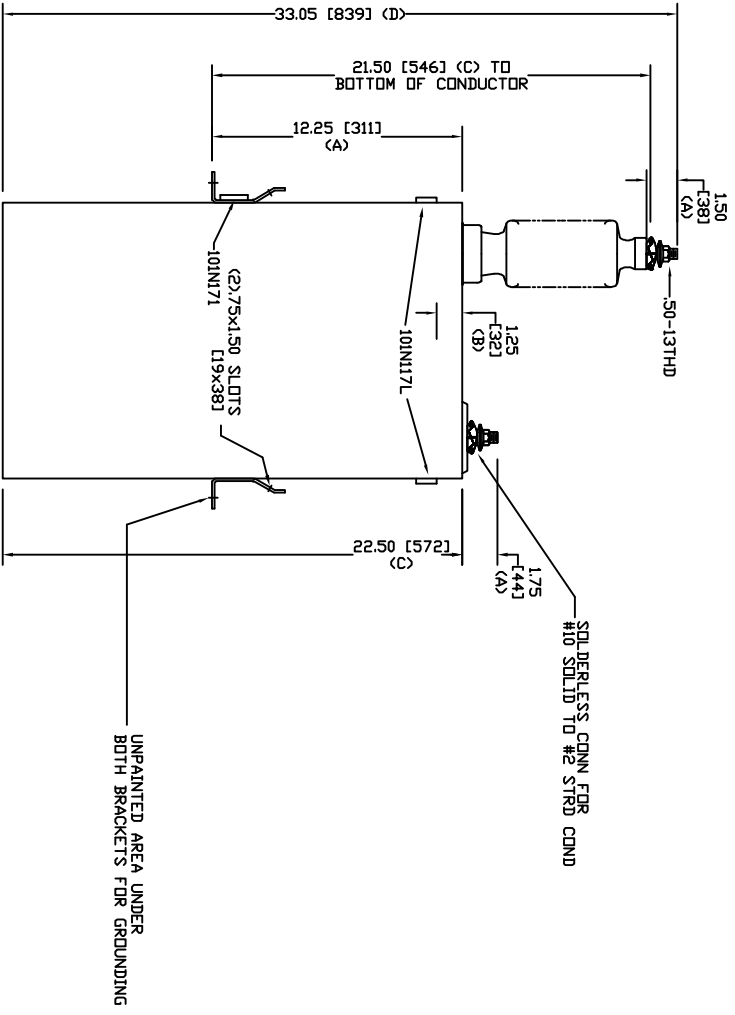


SIZE	DWG. NO.	SHT	REV
A	98L596WC60	2	0
REV	DESCRIPTION	DATE	APPROVED
0	New	3/15/2006	



TOL	In.	mm
A	.06	1.5
B	.12	3.0
C	.18	4.6
D	.25	6.4
E	+.5/-1	+13/-25



21600 V 1 PH 150 KV/BIL
 600 KVAR 60 Hz
 CAT. 98L596WC60
 3.44 GAL
 MFG DATE
 101N171 READ GEH-2743

INDUSTRIAL SYSTEMS
 FORT EDWARD, N.Y., U.S.A.
 DRAWN ACAD VBA
 RAH
 DATE 8/18/06
 DATE 8/18/06

SIZE A
 WEIGHT 99.8 lbs
 45.4 kg
 SCALE
 SHEET 2
 CNT 3

DISTR. TO 201