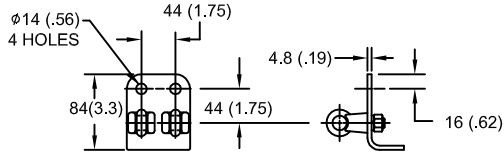


SIZE A	DWG NO 911XPA030AS	SHT 1	REV
REV	DESCRIPTION	DATE	APPROVED

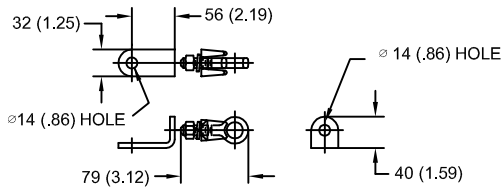
GE Tranquell® 24.4 MCOV

LINE TERMINAL DETAIL

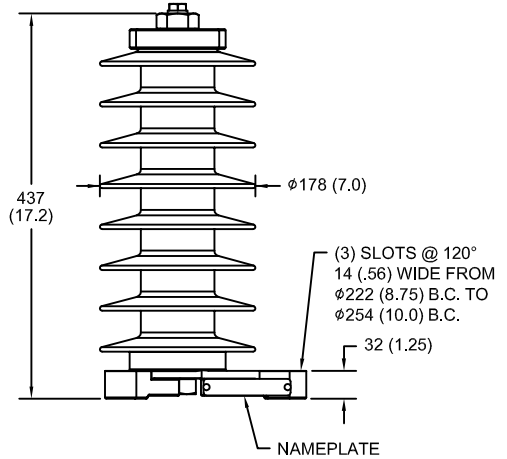


HDG 4-HOLE TERMINAL PAD, PART No. 274914-4002
TWO HDG TERMINALS, PART No. 271414-3001
SUITABLE FOR Cu OR Al CONDUCTOR SIZE
 ϕ 7 (.25) - ϕ 21 (.81) DIA
25 - 240 sq mm
AWG#4 - 500 MCM

GROUND TERMINAL DETAIL



HDG TERMINAL BRACKET, PART No. 89606-4001
ONE HDG TERMINAL, PART No. 271414-3001
SUITABLE FOR Cu OR Al CONDUCTOR SIZE
 ϕ 7 (.25) - ϕ 21 (.81) DIA
25 - 240 sq mm
AWG#4 - 500 MCM



CHARACTERISTICS	
RATED VOLTAGE	30 kVrms
MCOV	24.4 kVrms
MASS	9.9 kg (21.9 lb)
COG ABOVE BASE	218 (8.6)
CREEPAGE DISTANCE	1029 (40.5)
STRIKE DISTANCE	361 (14.2)
LIGHTNING IMP W/S	207 kVpk
SWITCHING IMP WET W/S	173 kVpk
POWER FREQ WET W/S	101 kVrms
TOV 1s NO PRIOR DUTY	34.7 kVrms
TOV 10s NO PRIOR DUTY	33.2 kVrms
TOV 1s W/PRIOR DUTY	33.6 kVrms
TOV 10s W/PRIOR DUTY	32.2 kVrms

CANTILEVER FORCE	
MAXIMUM CONTINUOUS	2173 N (489 lbs)
ULTIMATE (max pk)	4346 N (977 lbs)

RECOMMENDED CLEARANCE (CENTER - CENTER)	
PHASE TO GROUND	226.0 (8.9)
PHASE TO PHASE	351.0 (13.82)

- NOTES:
1. DIMENSIONS IN millimeters(inches) SUBJECT TO \pm 3% TOLERANCE
2. CLEARANCE AND INSULATION W/S VOLTAGE APPLY AT SEA LEVEL
3. ARRESTER SUITABLE FOR OPERATION AT ALTITUDES UP TO 4380 m (14370 ft)
4. PACKAGED IN A CORRUGATED BOX.

.5 μ SEC 10kA IR kV	SWITCHING SURGE IR kV		MAXIMUM 8/20 DISCHARGE VOLTAGE - kV AT					
	500 A	1 KA	1.5 kA	3.0 kA	5 kA	10 kA	20 kA	40 kA
81.2	57.5	59.9	61.3	64.5	67.6	72.5	78.4	89.4



GE ENERGY
FORT EDWARD, N.Y., U.S.A.

SIZE
A

ANSI/IEEE C62.11
STATION CLASS

ARRESTER 9L11XPA030AS

DRAWN DCS DATE 9/15/2014

ISSUED DATE 9/15/2014

SCALE

SHEET 1 CONT ON -

DISTR. TO