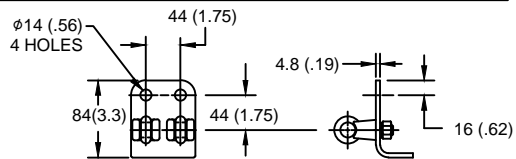


SIZE A	DWG NO 911XPA039AS	SHT 1	REV
REV	DESCRIPTION	DATE	APPROVED

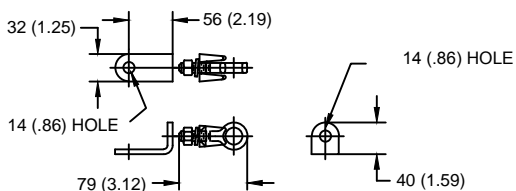
## GE Tranquell® 31.5 kV MCOV

### LINE TERMINAL DETAIL

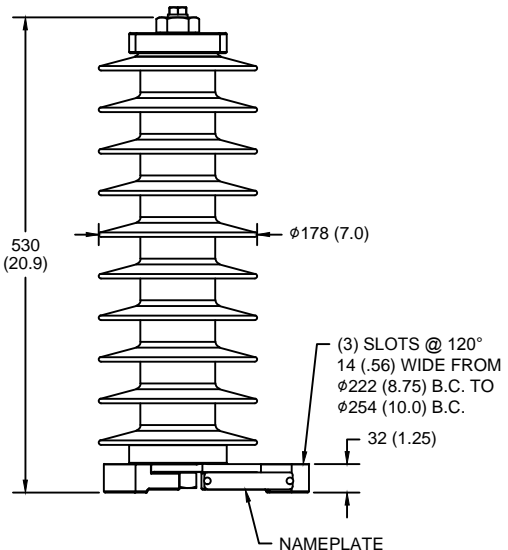


HDG 4-HOLE TERMINAL PAD,  
TWO HDG TERMINALS,  
SUITABLE FOR Cu OR Al CONDUCTOR SIZE  
φ 7 (.25) - φ 21 (.81) DIA  
25 - 240 sq mm  
AWG#4 - 500 MCM

### GROUND TERMINAL DETAIL



HDG TERMINAL BRACKET  
ONE HDG TERMINAL  
SUITABLE FOR Cu OR Al CONDUCTOR SIZE  
φ 7 (.25) - φ 21 (.81) DIA  
25 - 240 sq mm  
AWG#4 - 500 MCM



### CHARACTERISTICS

RATED VOLTAGE	39 kVrms
MCOV	31.5 kVrms
MASS	12.1 kg (26.6 lb)
COG ABOVE BASE	267 (10.5)
CREEPAGE DISTANCE	1294 (50.9)
STRIKE DISTANCE	455 (17.9)
LIGHTNING IMP W/S	261 kVpk
SWITCHING IMP WET W/S	219 kVpk
POWER FREQ WET W/S	125 kVrms
TOV 1s NO PRIOR DUTY	44.8 kVrms
TOV 10s NO PRIOR DUTY	42.9 kVrms
TOV 1s W/PRIOR DUTY	43.4 kVrms
TOV 10s W/PRIOR DUTY	41.7 kVrms

### CANTILEVER FORCE

MAXIMUM CONTINUOUS	1843 N (414 lbs)
ULTIMATE (max pk)	3687 N (829 lbs)

### RECOMMENDED CLEARANCE (CENTER - CENTER)

PHASE TO GROUND	193.2 (7.6)
PHASE TO PHASE	235.5 (9.3)

NOTES:  
1. DIMENSIONS IN millimeters(inches) SUBJECT TO ±3% TOLERANCE  
2. CLEARANCE AND INSULATION W/S VOLTAGE APPLY AT SEA LEVEL  
3. ARRESTER SUITABLE FOR OPERATION AT ALTITUDES UP TO 4380 m (14370 ft)  
4. PACKAGED IN A CORRUGATED BOX.

.5μSEC 10kA IR kV	SWITCHING SURGE IR kV		MAXIMUM 8/20 DISCHARGE VOLTAGE - kV AT					
	500 A	1 KA	1.5 kA	3.0 kA	5 kA	10 kA	20 kA	40 kA
105	74.4	77.4	79.3	83.4	87.4	93.8	101	116



GE ENERGY  
FORT EDWARD, N.Y., U.S.A.

SIZE  
**A**

ANSI/IEEE C62.11  
STATION CLASS

## ARRESTER 9L11XPA039AS

DRAWN	DCS	DATE	11/20/2014
ISSUED		DATE	11/20/2014

SCALE

SHEET 1 CONT ON -

DISTR. TO