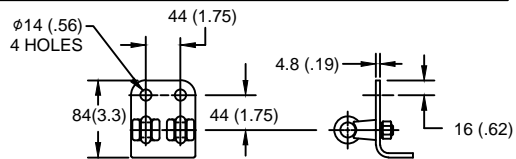


SIZE A	DWG NO 911XPA054AS	SHT 1	REV
REV	DESCRIPTION	DATE	APPROVED

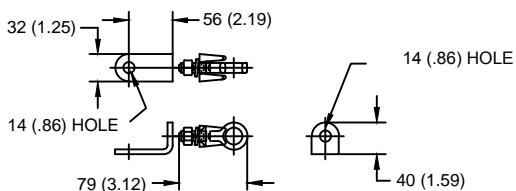
GE Tranquell® 42 kV MCOV

LINE TERMINAL DETAIL

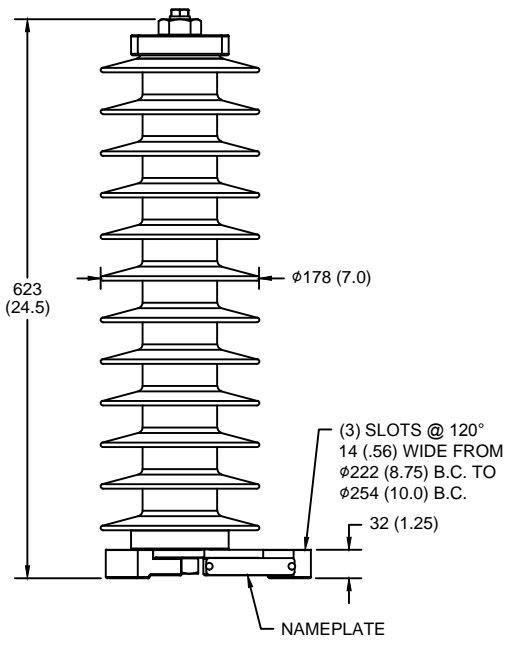


HDG 4-HOLE TERMINAL PAD,
TWO HDG TERMINALS,
SUITABLE FOR Cu OR Al CONDUCTOR SIZE
φ 7 (.25) - φ 21 (.81) DIA
25 - 240 sq mm
AWG#4 - 500 MCM

GROUND TERMINAL DETAIL



HDG TERMINAL BRACKET
ONE HDG TERMINAL
SUITABLE FOR Cu OR Al CONDUCTOR SIZE
φ 7 (.25) - φ 21 (.81) DIA
25 - 240 sq mm
AWG#4 - 500 MCM



CHARACTERISTICS	
RATED VOLTAGE	54 kVrms
MCOV	42 kVrms
MASS	14.2 kg (31.2 lb)
COG ABOVE BASE	312 (12.3)
CREEPAGE DISTANCE	1562 (61.5)
STRIKE DISTANCE	546 (21.5)
LIGHTNING IMP W/S	313 kVpk
SWITCHING IMP WET W/S	263 kVpk
POWER FREQ WET W/S	148 kVrms
TOV 1s NO PRIOR DUTY	62.5 kVrms
TOV 10s NO PRIOR DUTY	59.8 kVrms
TOV 1s W/PRIOR DUTY	60.5 kVrms
TOV 10s W/PRIOR DUTY	58.1 kVrms

CANTILEVER FORCE	
MAXIMUM CONTINUOUS	1601 N (360 lbs)
ULTIMATE (max pk)	3201 N (720 lbs)

RECOMMENDED CLEARANCE (CENTER - CENTER)	
PHASE TO GROUND	289.3 (11.4)
PHASE TO PHASE	344.1 (13.5)

.5μSEC 10kA IR kV	SWITCHING SURGE IR kV		MAXIMUM 8/20 DISCHARGE VOLTAGE - kV AT					
	500 A	1 KA	1.5 kA	3.0 kA	5 kA	10 kA	20 kA	40 kA
145	104	108	111	116	122	131	141	161

NOTES:
1. DIMENSIONS IN millimeters(inches) SUBJECT TO ±3% TOLERANCE
2. CLEARANCE AND INSULATION W/S VOLTAGE APPLY AT SEA LEVEL
3. ARRESTER SUITABLE FOR OPERATION AT ALTITUDES UP TO 4380 m (14370 ft)
4. PACKAGED IN A CORRUGATED BOX.

GE ENERGY
FORT EDWARD, N.Y., U.S.A.

SIZE
A
ANSI/IEEE C62.11
STATION CLASS

ARRESTER 9L11XPA054AS

DRAWN	DCS	DATE	11/20/2014
ISSUED		DATE	11/20/2014

SCALE		SHEET	1	CONT	ON
-------	--	-------	---	------	----

DISTR. TO