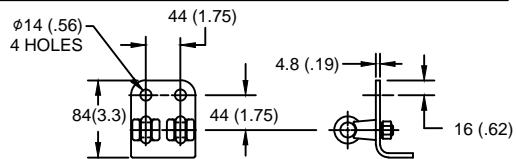


SIZE A	DWG NO 911XPA090AS	SHT 1	REV
REV	DESCRIPTION	DATE	APPROVED

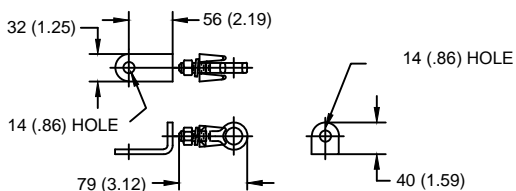
**GE Tranquell®  
70 kV MCOV**

**LINE TERMINAL DETAIL**



HDG 4-HOLE TERMINAL PAD,  
TWO HDG TERMINALS,  
SUITABLE FOR Cu OR Al CONDUCTOR SIZE  
φ 7 (.25) - φ 21 (.81) DIA  
25 - 240 sq mm  
AWG#4 - 500 MCM

**GROUND TERMINAL DETAIL**



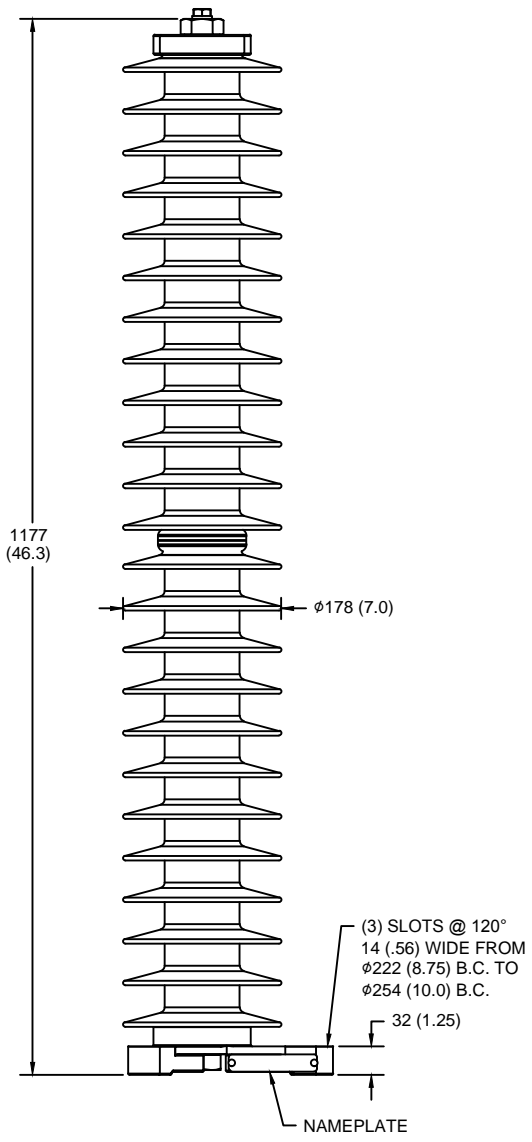
HDG TERMINAL BRACKET  
ONE HDG TERMINAL  
SUITABLE FOR Cu OR Al CONDUCTOR SIZE  
φ 7 (.25) - φ 21 (.81) DIA  
25 - 240 sq mm  
AWG#4 - 500 MCM

CHARACTERISTICS	
RATED VOLTAGE	90 kVrms
MCOV	70 kVrms
MASS	26.7 kg (58.9 lb)
COG ABOVE BASE	589 (23.2)
CREEPAGE DISTANCE	3124 (123)
STRIKE DISTANCE	1100 (43.3)
LIGHTNING IMP W/S	631 kVpk
SWITCHING IMP WET W/S	529 kVpk
POWER FREQ WET W/S	275 kVrms
TOV 1s NO PRIOR DUTY	104 kVrms
TOV 10s NO PRIOR DUTY	99.3 kVrms
TOV 1s W/PRIOR DUTY	100 kVrms
TOV 10s W/PRIOR DUTY	96.4 kVrms

CANTILEVER FORCE	
MAXIMUM CONTINUOUS	897 N (202 lbs)
ULTIMATE (max pk)	1794 N (403 lbs)

RECOMMENDED CLEARANCE (CENTER - CENTER)	
PHASE TO GROUND	513.1 (20.2)
PHASE TO PHASE	597.1 (23.5)

.5μSEC 10kA IR kV	SWITCHING SURGE IR kV		MAXIMUM 8/20 DISCHARGE VOLTAGE - kV AT					
	500 A	1 KA	1.5 kA	3.0 kA	5 kA	10 kA	20 kA	40 kA
242	172	179	184	193	202	217	234	267



NOTES:  
1. DIMENSIONS IN millimeters(inches) SUBJECT TO ±3% TOLERANCE  
2. CLEARANCE AND INSULATION W/S VOLTAGE APPLY AT SEA LEVEL  
3. ARRESTER SUITABLE FOR OPERATION AT ALTITUDES UP TO 4380 m (14370 ft)  
4. PACKAGED IN A CORRUGATED BOX.

**GE ENERGY**  
FORT EDWARD, N.Y., U.S.A.

DRAWN DCS DATE 11/20/2014

ISSUED DATE 11/20/2014

SIZE **A**

ANSI/IEEE C62.11  
STATION CLASS

SCALE

**ARRESTER**  
**9L11XPA090AS**

SHEET 1 CONT ON -

DISTR. TO